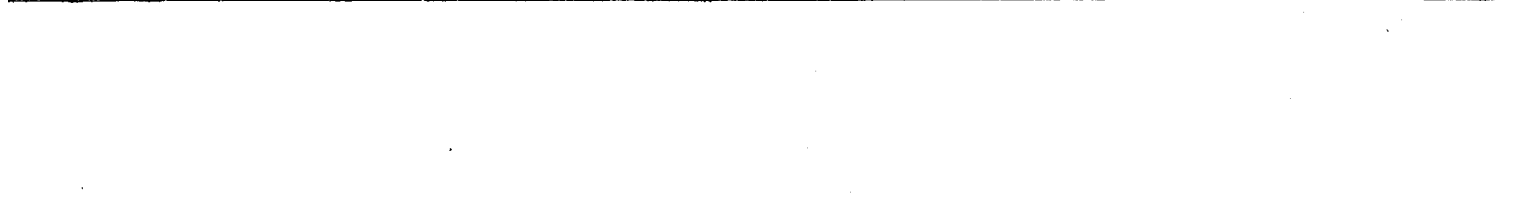
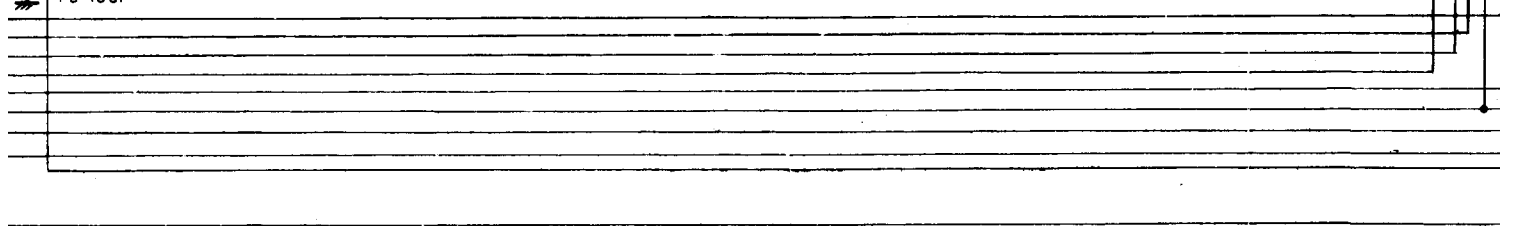
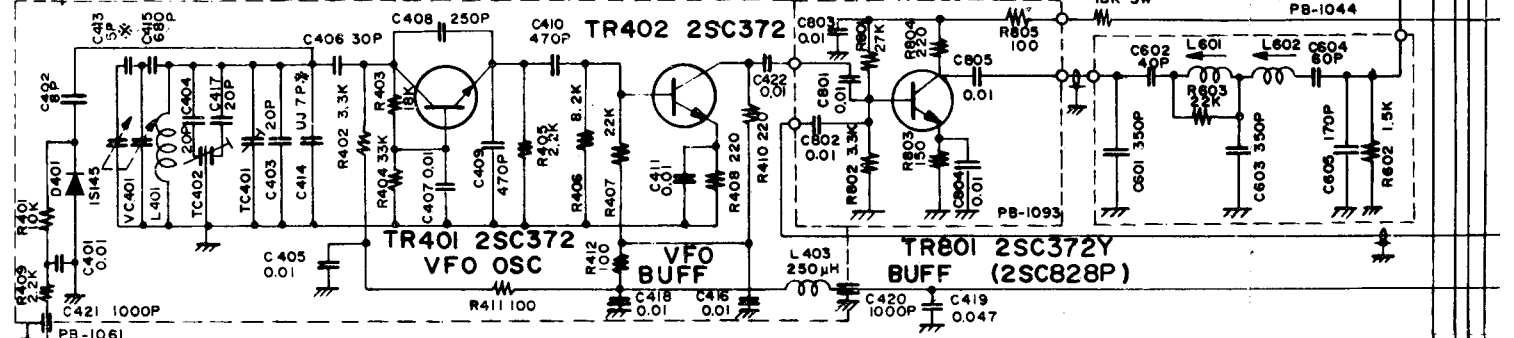
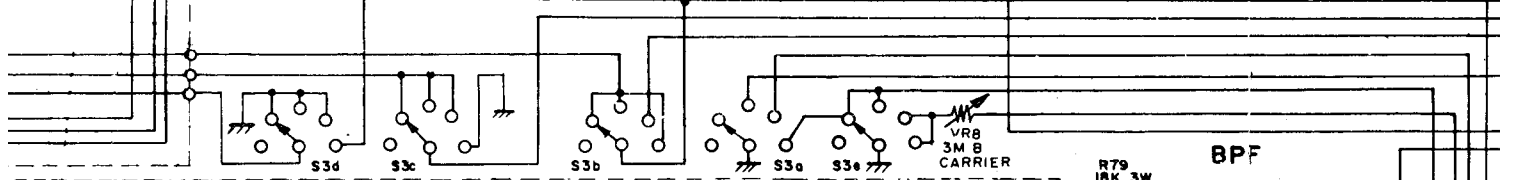
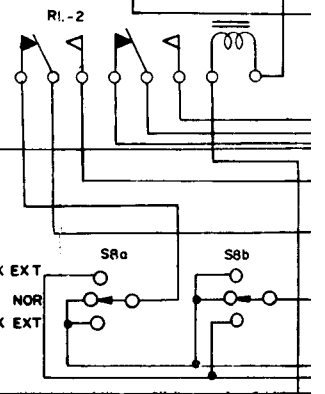
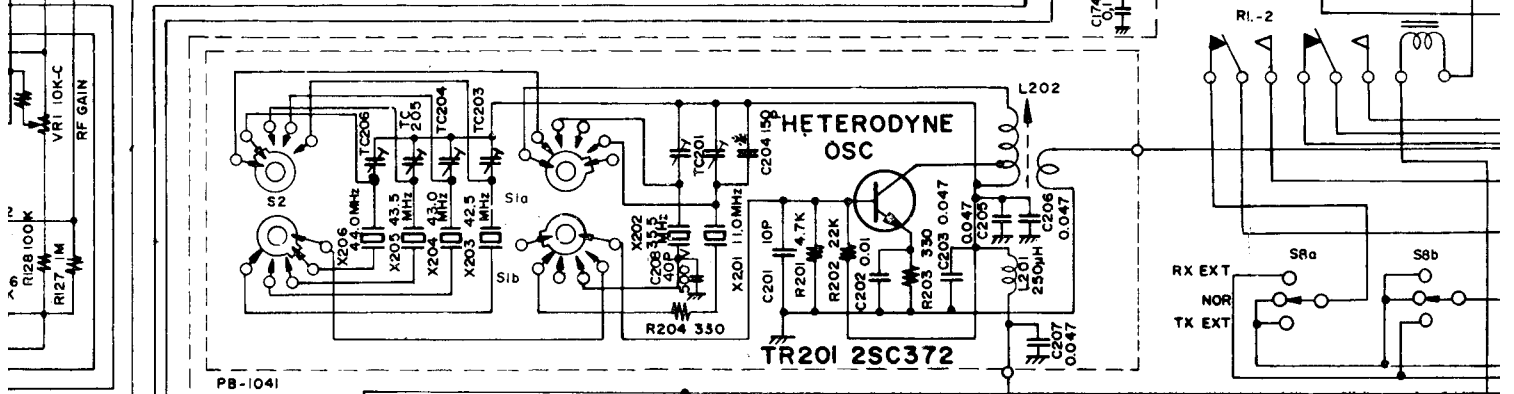
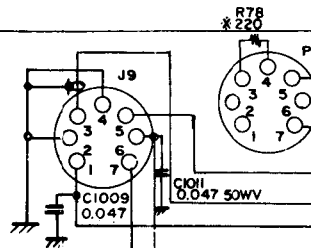
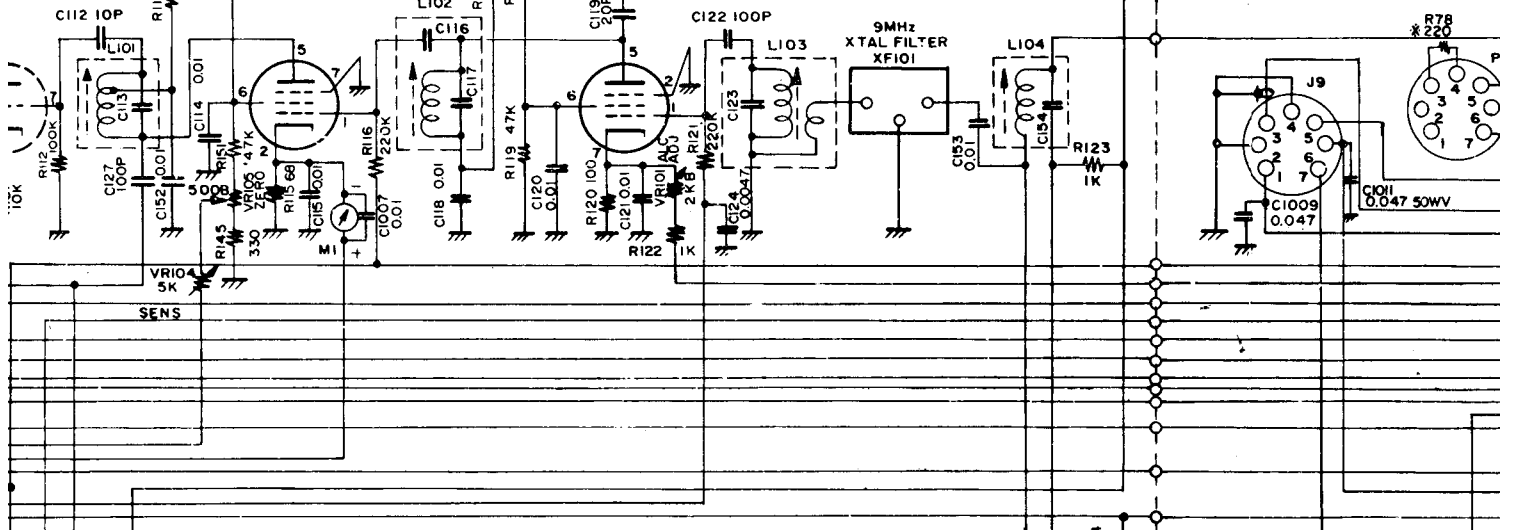


2a 12AX7A
3 CW DET

V103 6BZ6
2nd IF AMP

V104 6BA6
1st IF AMP



VI 6U8 REC MIX

V8 6AV6 VOX AMP

V2 6BZ6 REC RF AMP

V9a REL

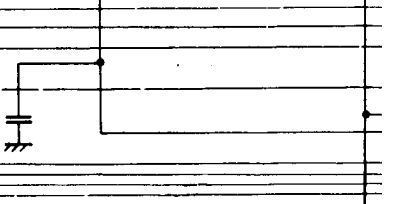
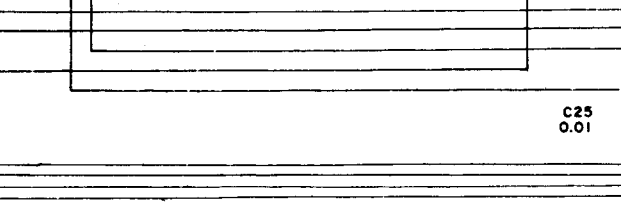
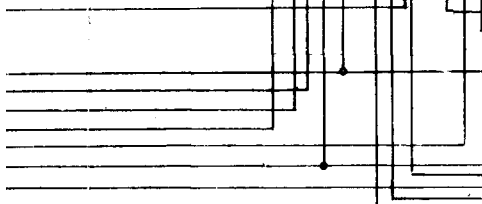
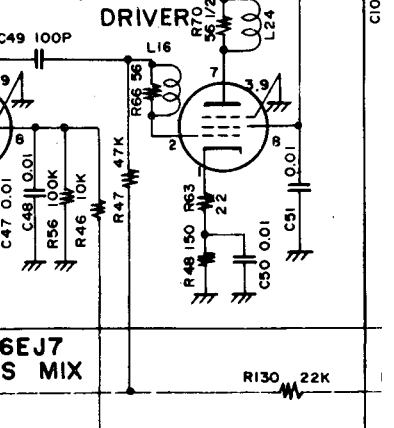
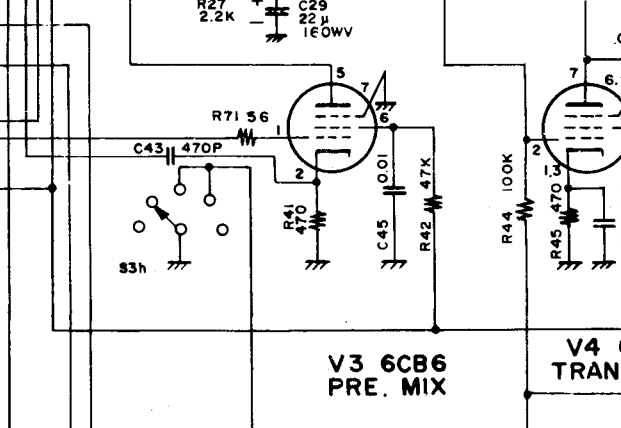
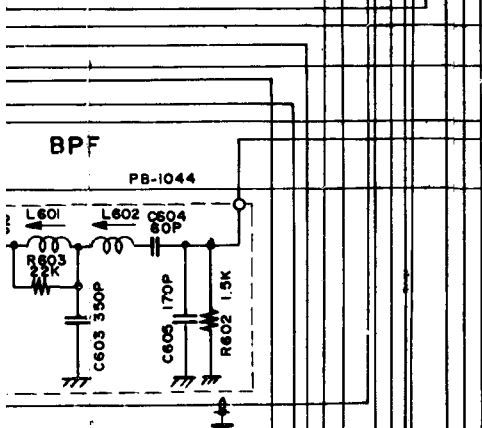
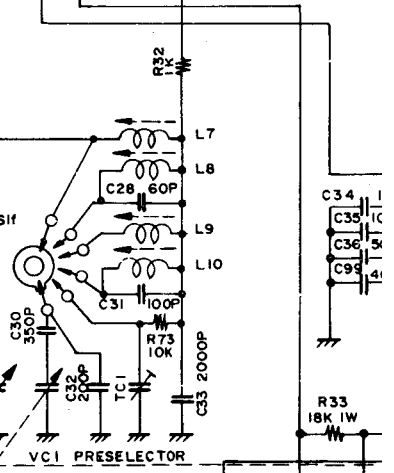
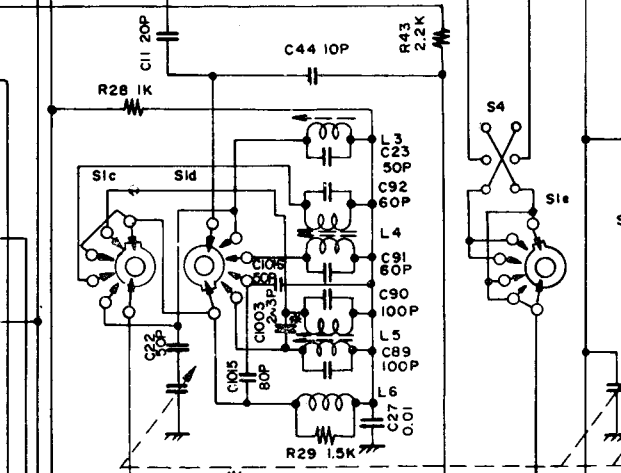
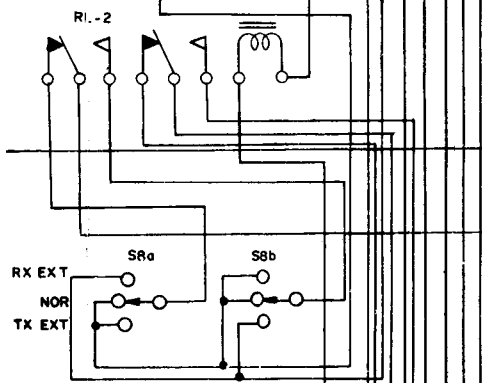
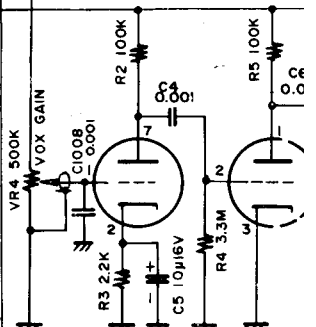
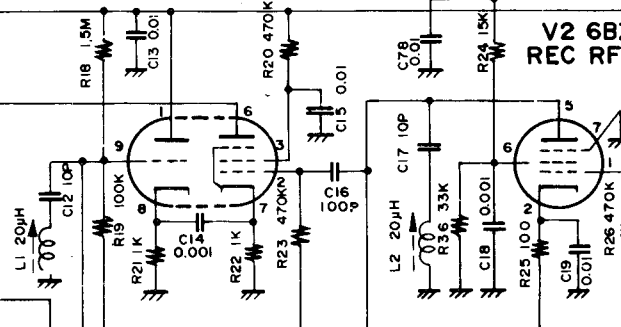
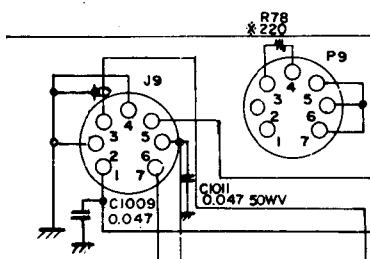
V5 12BY7A DRIVER

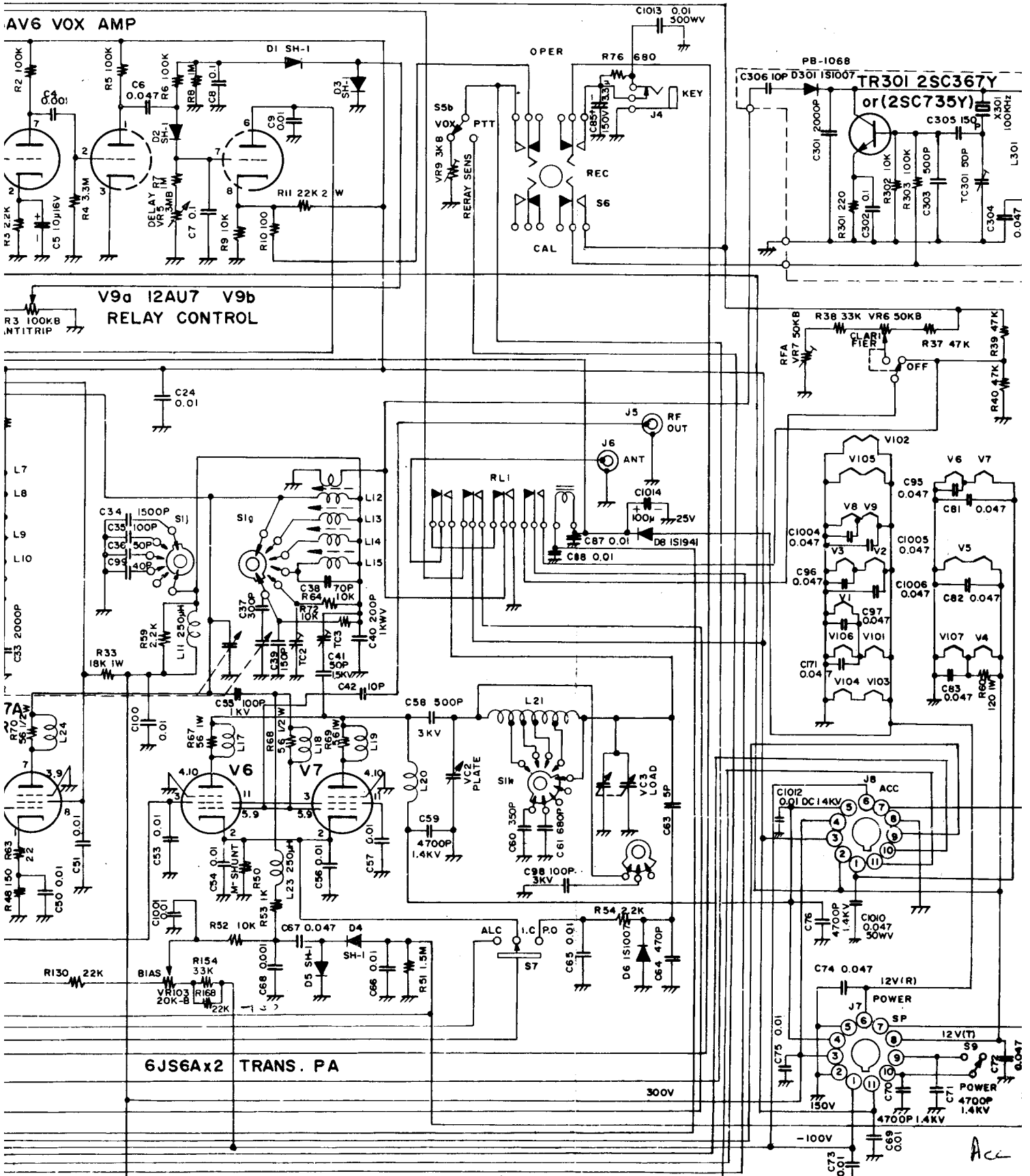
V4 6EJ7 TRANS MIX

V3 6CB6 PRE. MIX

BPF

PB-1044





D1 ~ D5 } SH-1 or 1S1941
 D101 ~ D103 }
 D106 }

- NOTES:
1. ALL RESISTORS IN OHM 1/2W ± 10% UNLESS OTHERWISE NOTED.
 2. ALL CAPACITORS IN μF UNLESS OTHERWISE NOTED.
 3. * VALUE IS NOMINAL.

FT200/FT250
 CIRCUIT DIAGRAM
 335001

relays; 9 TX

- Acc
- 1 PA 1
 - 2 12V 1
 - 3 +15C
 - 4 +300
 - 5 +60
 - 7 ALC
 - 8 ant