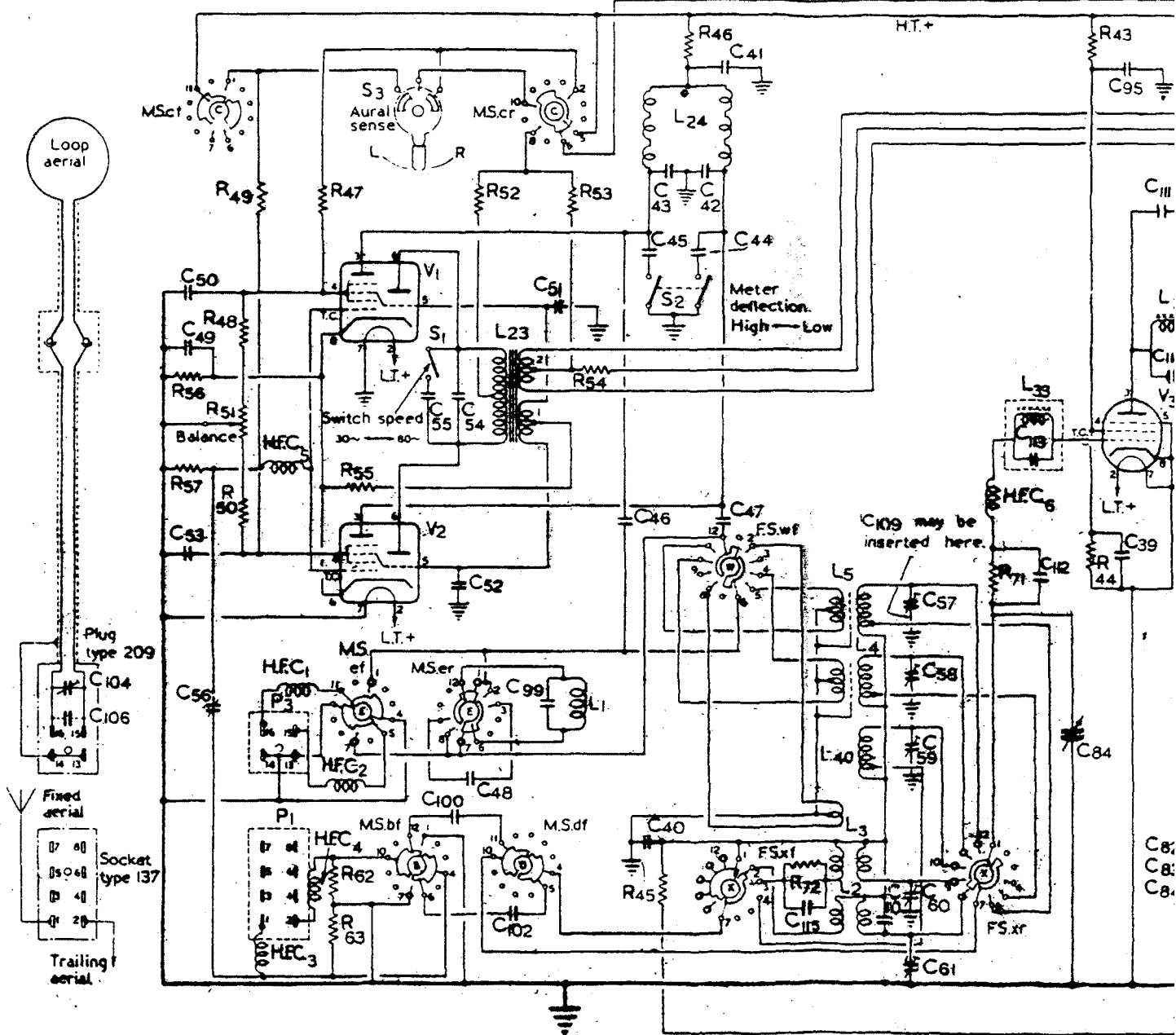


C104 C106	C50 C49 C53	C56 C53	C55 C54 C100 C48	C102 C99 C51 C52	C40—C47	C57—C61 C115 C110	C84 C95 C112 C113 C39 C114
R56 R48—R51 R57	R47 R55 R52 R63	R52 R53 R54 R46 R45	R72	R71	R43 R44		
MScl	P ₃ HFC ₁ —HFC ₅ P ₁ MSel V ₂ MSbf	V ₃ S ₃ S ₁ MSer L ₂₃ MScr MSdf L ₁	L ₂₄ FS.wf S ₂ FS.xf	L ₄ —L ₅ L ₄₀	HFC ₆ FS.xr L ₃₃	V ₃	

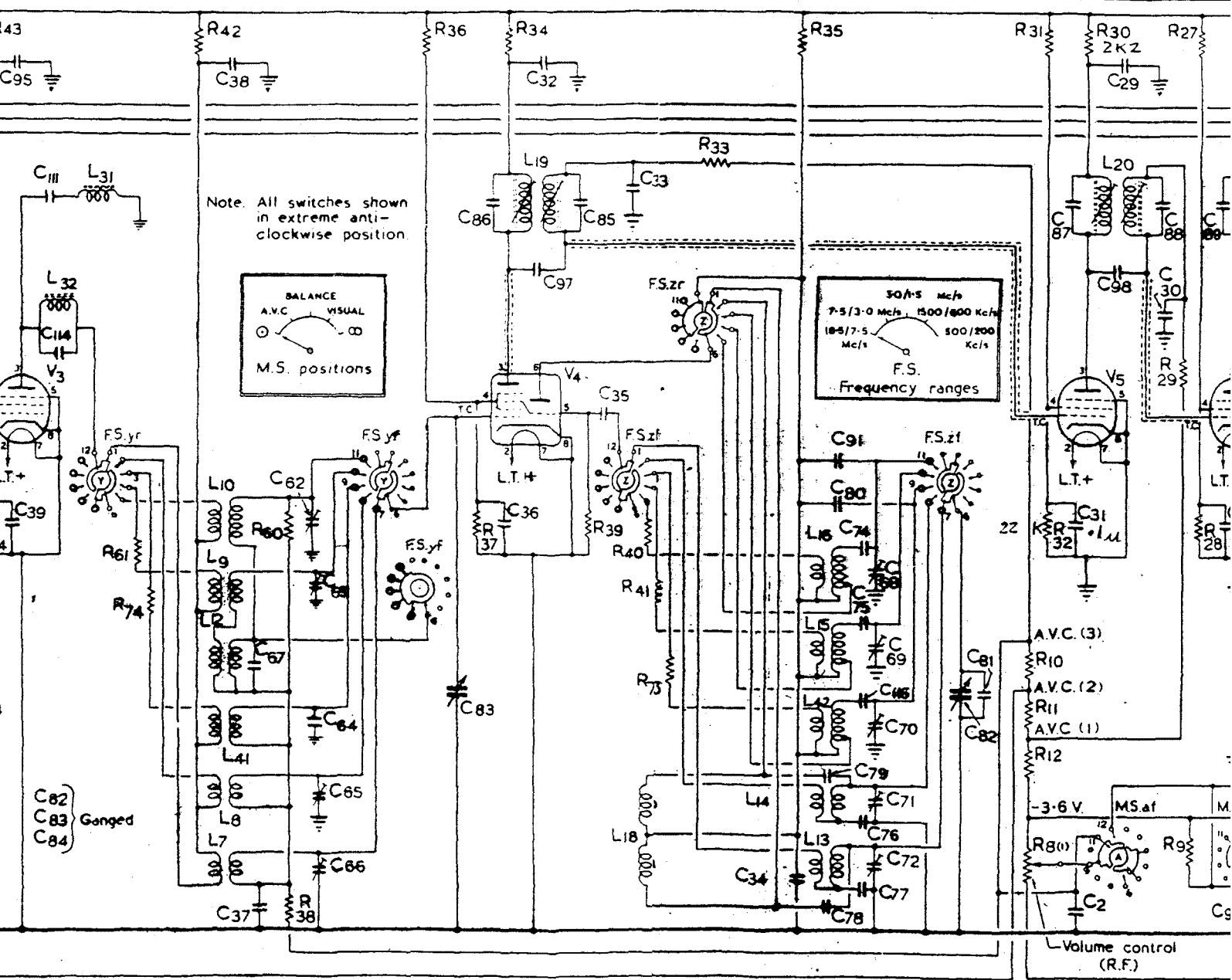


Note. Switch contacts shown thus α denote front (f) & rear (r) contacts connected. Important. In order to avoid excessive crossing of connecting wires certain switch wafers have been duplicated.

FIG. 4

A.P. 2548 A VOL I CHAP. 2

C95 C39	C111 C114	C38 C37	C67 C62-C86	C83 C36	C86 C97	C32 C85	C85 C35	C33 C35	C34 C116	C68-C72 C74-C80	C91 C82	C81 C81	C87 C31	C29 C2	C88 C98	C89 C3C	C1 C28							
R61 R74	R42	R60 R38	R36	R34 R37	R39	R40 R41	R33 R73	R35	R10-R12 R80	R31 R32	R30 R30	R27-R29 R9	V3	L32 L31 FSyr	L7-L10 L41	L12	FSyr FSyf	L19 V4	FSz1 L18	FSzr	L13-L16 L42	FSz1	V5	L20 MSaf



R 1155 L AND R 1155 N CIRCUIT DIAGRAM

C89	C19	C101	C27	C90	C11	C17	C14	C13	C8-C10	C96	C93	C24	C21	C7	C23	C3-C5	C107	C92	C1
C2	C28	C94	C108	C103	C16	C15	C12		C105	C26	C25	C6	C22			C18			
R7-R29	R58	R68	R13	R19		R8(2)	R20	R22	R6	R65		R66	R24	R25	R23	R7	R5	R1	
R9	R4	R3	R64	R69		R26	R70	R67		R2									
V6	L21	L25	V7	S4	MS.af	L30	S5	MS.br	L28	L27	L26	P2			P1				
MS.cf			FS.wr	L22	V10	V8	L29			V9					MS.ar				

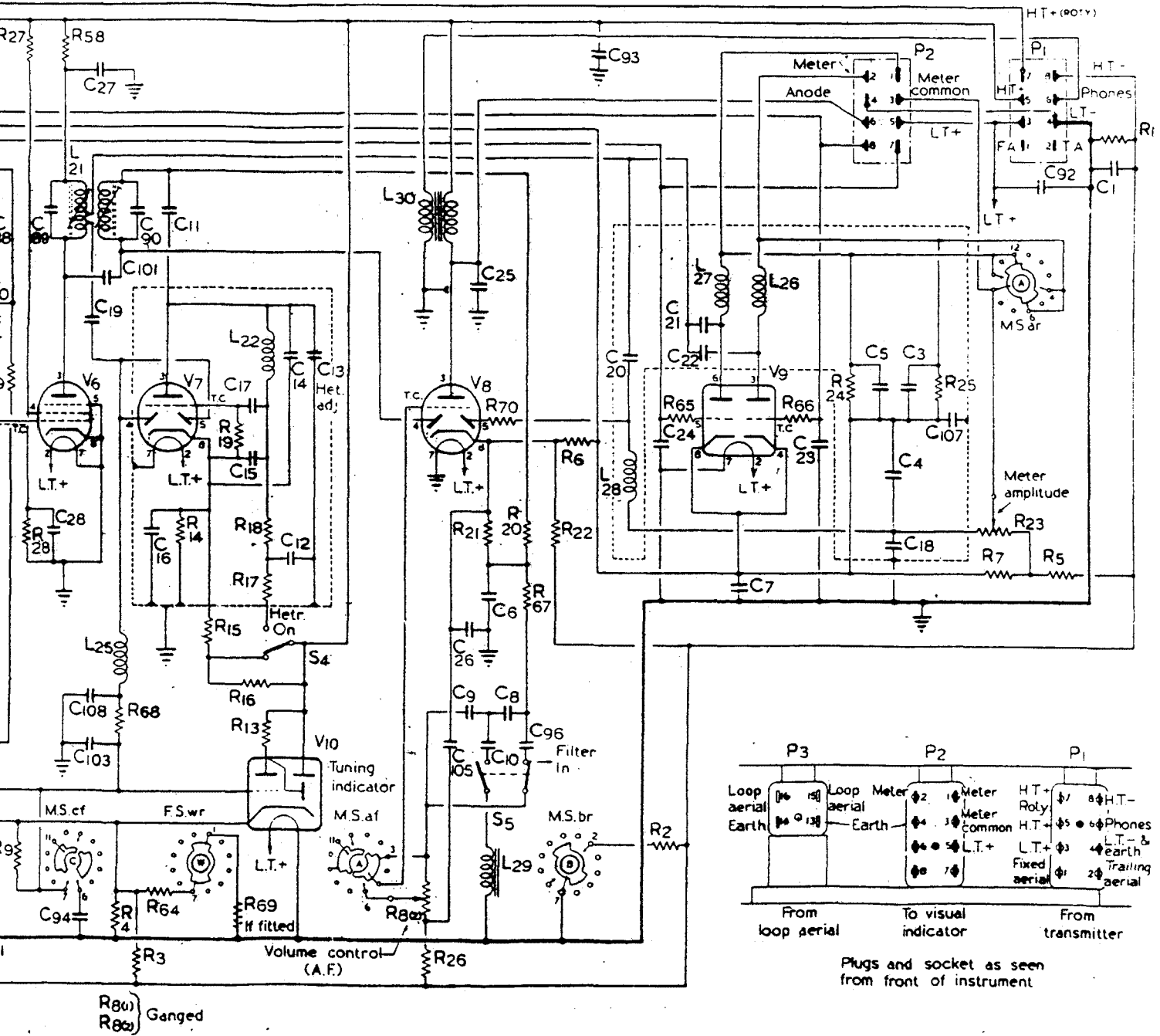


FIG. 4