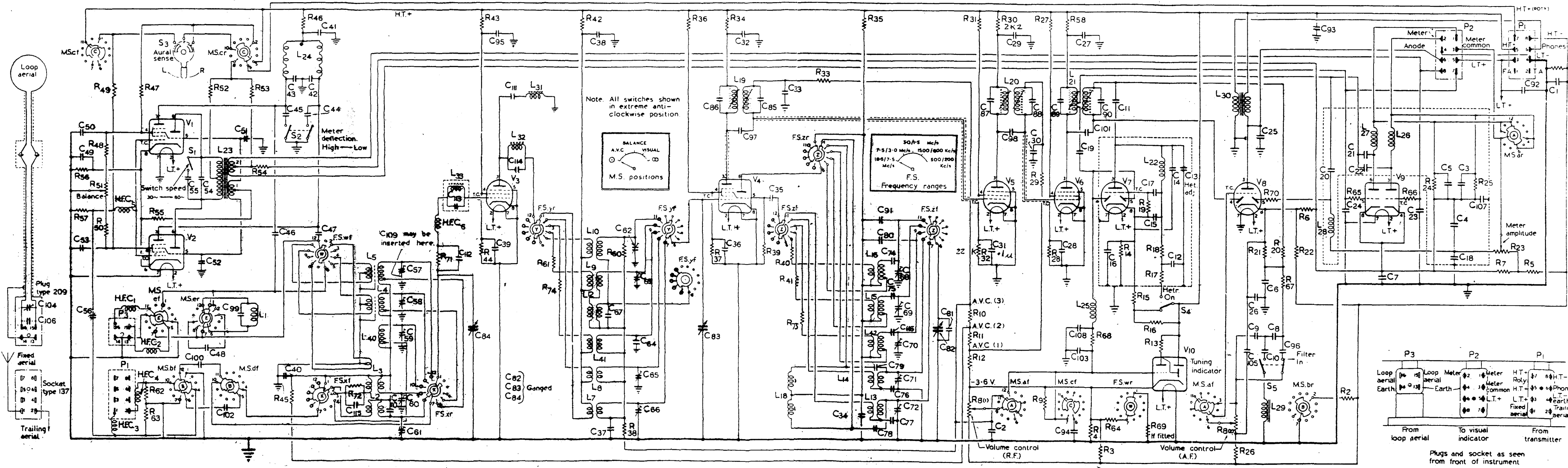
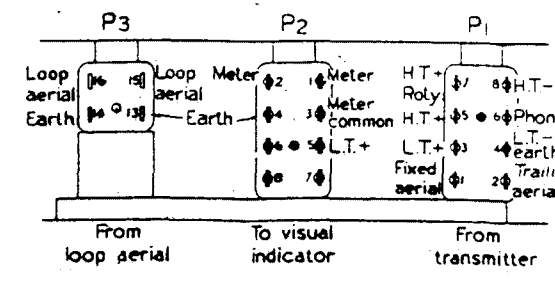


C104	C50 C56	C55 C54 C102 C99 C51	C40—C47	C57—C61	C84 C95 C111	C38 C67 C62—C66	C83 C86 C32 C85 C33	C34 C68—C72	C87 C29 C88 C89 C9 C101 C27 C90 C11	C17 C14 C13	C8—C10 C96 C93	C24 C21 C7	C23 C3—C5	C107	C92	C1											
C106	C49 C53	C100 C48	C52	C115 C110	C112 C113 C39 C114	C37	C36 C97	C116 C74—C80 C91	C82 C81	C31 C2 C98 C30 C28 C94 C108 C103 C16	C105 C26 C25 C6	C20	C18 C10	C107	C92	C1											
	R56 R48—R51	R47 R55	R52 R53 R54	R46	R72	R71	R43	R61 R42 R60	R36 R34 R39	R40 R33	R35	R10—R12 R31 R30	R27—R29 R58	R68 R13	R19	R8(2) R20—R22 R6	R65	R66 R24	R25	R23 R5	R1						
	R57	R62 R63		R45			R44	R74	R37	R41 R73		R8(1) R32	R9	R4 R3 R64	R69	R26 R70 R67	R2										
	MScf	P3 HFC1 HFC5 V1 S3 S1 MSer	L23 MScr	L24 FSwf	L4—L5	HFC6	V3	L32 L31	FSyr	FSyr	L19	FSz1	FSzr	L13—L16	V5 L20	V6 L21 L25	V7	S4	MSaf	L30	S5	MSbr	L28	L27 L26	P2	P1	MSar
		P1 MSel V2 MSbf	MSdf L1	F5xf	L40	FSxr		FSyr	FSyr	V4	Li8			L42	FSz1	MSaf	MScf	FSwr	L22 V10	MSaf	V8	L29	MSbr	V9			



R 1155 L AND R 1155 N CIRCUIT DIAGRAM

Note. Switch contacts shown thus α , denote front (f) & rear (r) contacts connected. Important. In order to avoid excessive crossing of connecting wires certain switch wafers have been duplicated.



Plugs and socket as seen from front of instrument

FIG. 4

FIG. 4