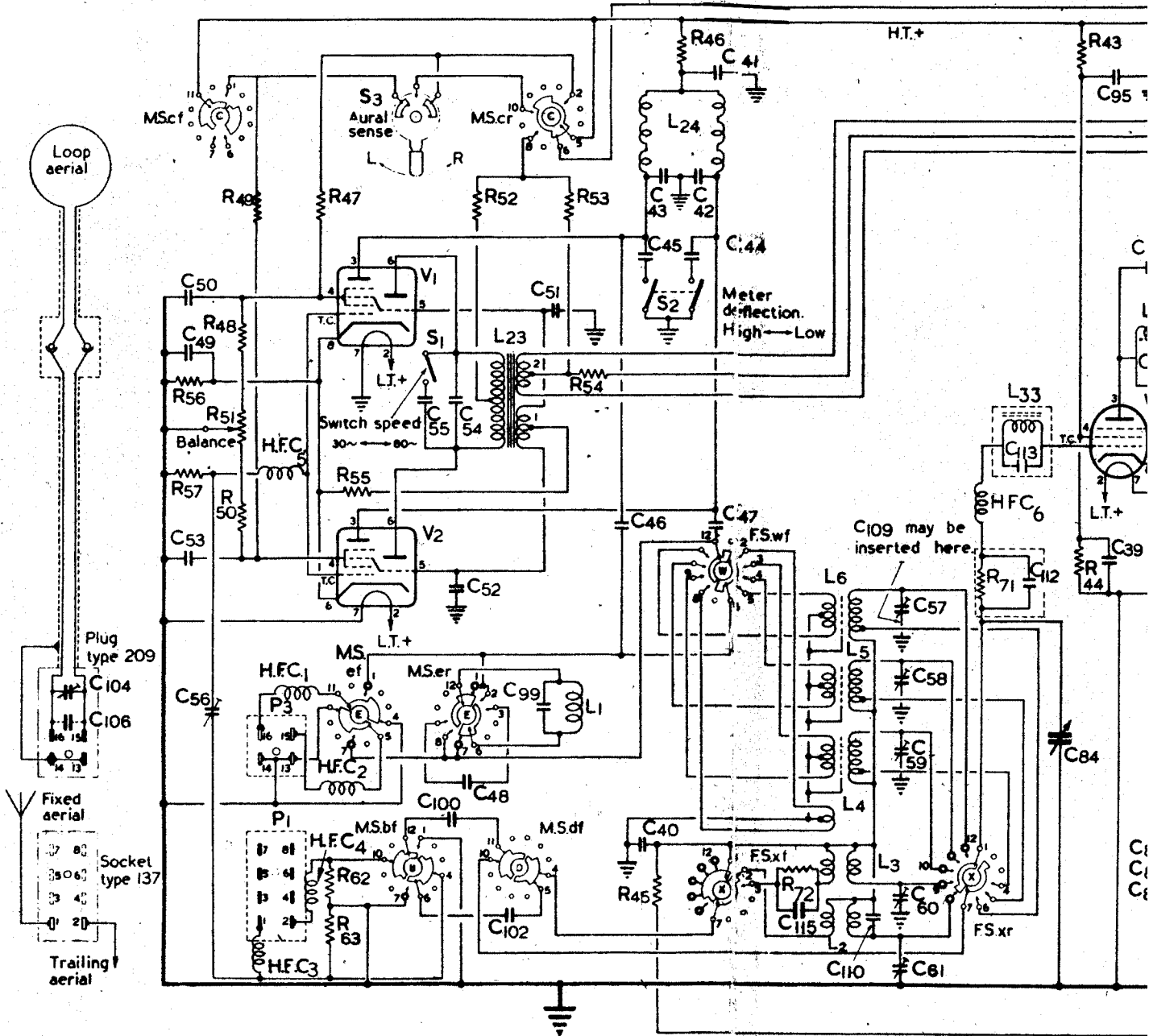


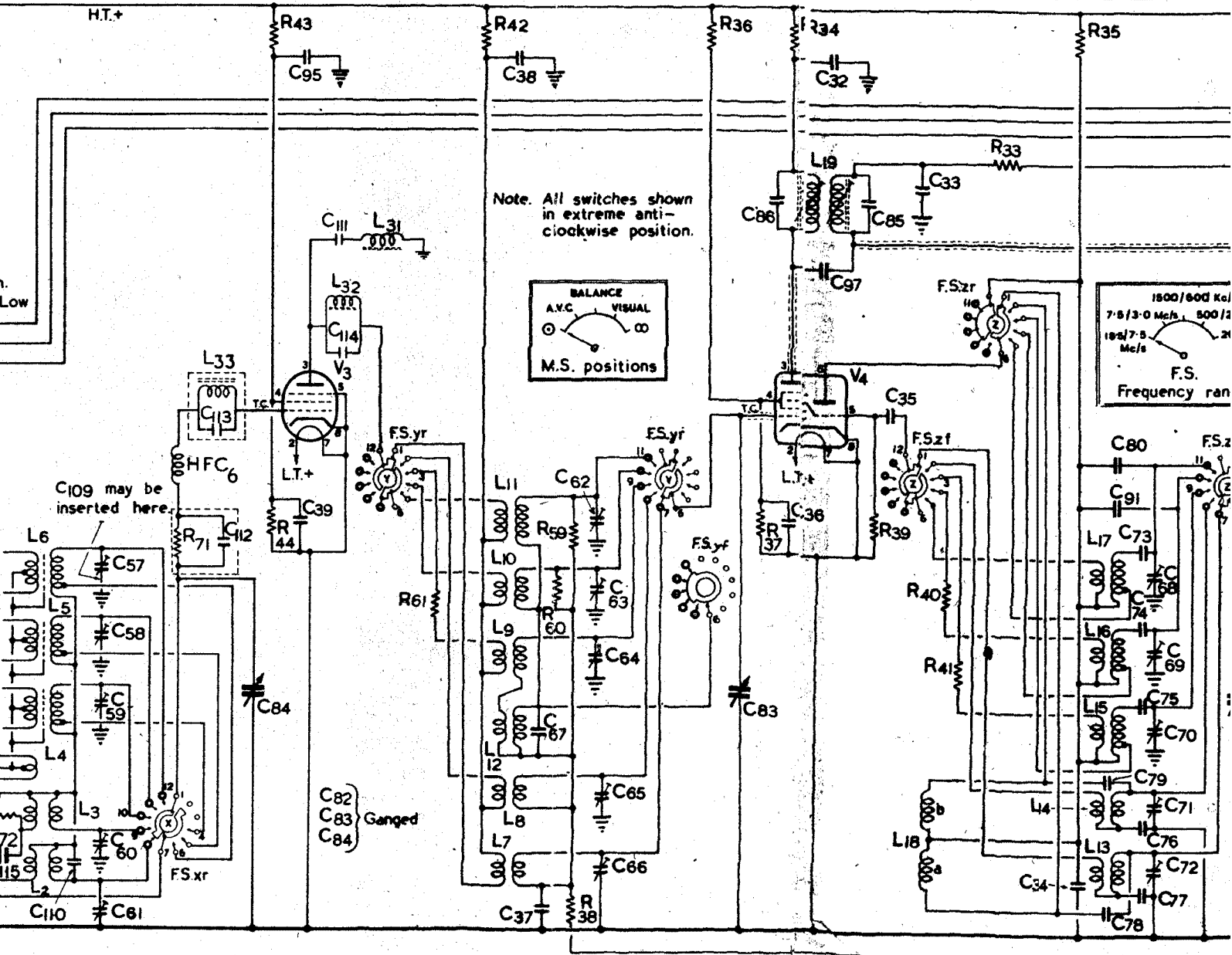
C104 C106	C50 C49	C56 C53	C55 C100	C54 C48	C102 C99	C95 C52	C40	C115 C110	C57-C61	C84 C113 C112	C95 C39
R56 R57	R48-R51	R47 R62 R63	R52	R53 R54	R46 R45	R72	R71	R43 R44			
MScf	P3 PI	H.F.C1 H.F.C2 H.F.C3 H.F.C4	V1 V2	S3 S1 S2	MSer MSbf MSdf	L23 L1	Li	L24 FSwf FSxf	L4-L6	H.F.C6 FSxr	L33 V3



Note. Switch contacts shown thus \odot , denote front (f) & rear (r) contacts connected. Important. In order to avoid excessive crossing of connecting wires certain switch wafers have been duplicated.

FIG. 3A

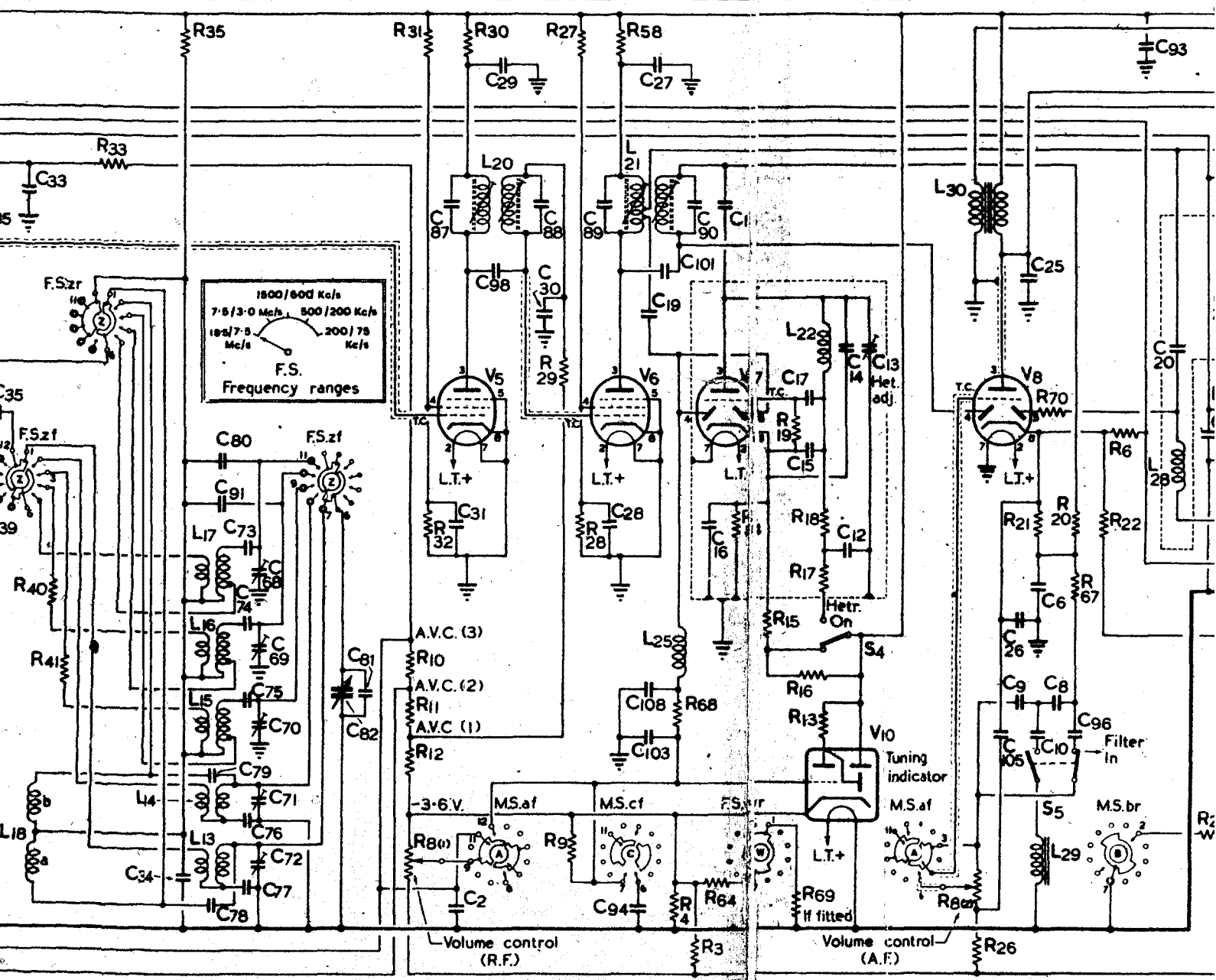
C57-C61	C84 C95 C111	C38 C67 C62-C66	C83 C86	C2 C85 C33 C35	C34 C68-C80 C91
C115 C110	C113 C112 C39 C114	C37			
R72	R71 R43 R44	R61 R42 R60 R59 R38	R36 R34 R37	R39 R40 R41 R33 R35	
L4-L6	H.F.C.6 L33 F.S.xr	V3 L31 L32 F.S.yr	L7-L12 F.S.yr F.S.yf	L19 V4 F.S.zf L18 F.S.zr	L13-L17 F.S.



thus o, denote
s connected.
excessive crossing of connecting
ers have been duplicated.

R.II55B AND R.II55F CIRCUIT DIAG

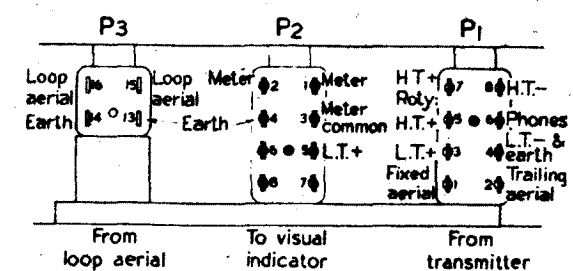
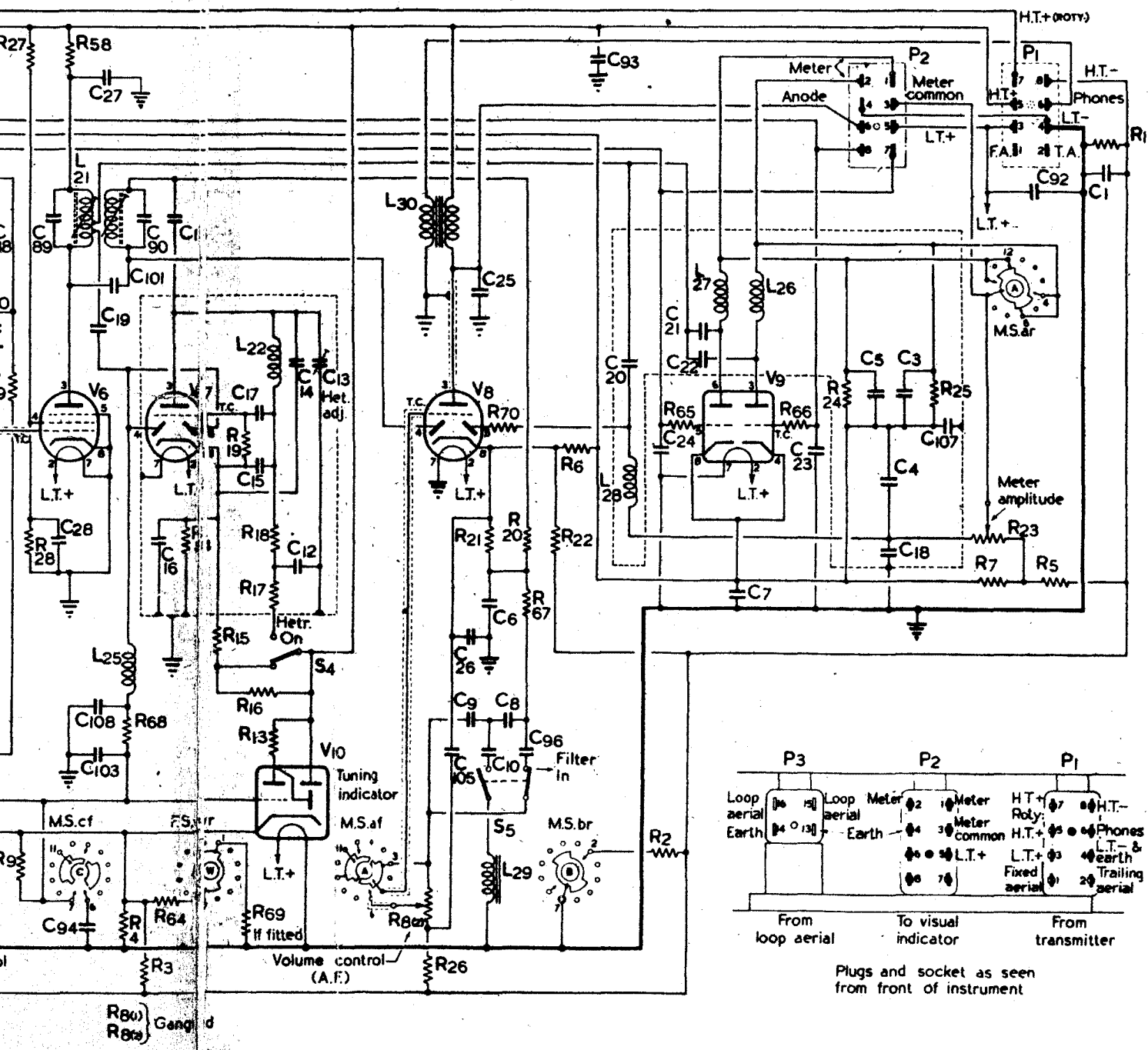
C33 C35	C34 C91	C68-C80 C91	C82 C81	C87 C31	C29 C2	C88-C89 C30	C19 C28	C101 C94	C27-C90 C108 C103	C17 C15	C14 C12	C13	C8-C10 C105	C96 C26	C93 C25	C20
R40 R41	R33 R35	R35	R10-R12 R8(1)	R31 R32	R30 R9	R27-R29 R9	R58 R4	R68 R3	R13 R6	R19 R69	R8(2) R26	R20-R22 R70 R67	R6			
F.S.zf L18	F.S.zr	L13-L17	F.S.zf	V5 MS.af	L20 MS.af	V6 MS.cf	L21 L25 MS.cf	V7	F.S.zr	S4 L22 V10	MS.af	L30 V8	S5 L29	MS.br	L28	



155F CIRCUIT DIAGRAM

R8(1)
R8(2) Gang

C89	C19	C101	C27	C90	C17	C14	C13	C8-C10	C96	C93	C24	C21	C7	C23	C3-C5	C107	C92	C1
7-R29	R58	R68	R13	R19	R15	R12	R18(a)	R20	R22	R6	R65	R66	R24	R25	R23	R5	R1	
R9	R4	R3	R6	R69	R26	R70	R67	R2	R2	R2	R2	R2	R2	R2	R2	R2	R2	
V6	L21	L25	V7	S4	L30	S5	MS.br	L28	L27	L26	P2	P1	MS.ar					
MS.cf			F.S.wr	L22	V10													



Plugs and socket as seen from front of instrument

FIG. 3A