

C104 C106	C50 C49	C56 C53	C55 C54 C100 C48	C51 C52	C40	C57-C61 C115 C110	C84 C95 C111 C113 C112 C39 C114	C38 C67 C62-C66 C37	C83 C85 C37	C32 C85 C33 C35	C34	C68-C80 C91	C82 C81	C87 C29 C88 C89 C19 C101 C27 C90 C31 C2 C98 C30 C28 C94 C108 C103	C17 C14 C13 C15 C12	C8-C10 C96 C93 C105 C26 C25 C6	C24 C21 C7 C22	C23	C3-C5 C18	C107	C92	C1
R56 R48-R51 R57	R47 F55 R62 R63	R52	R53 R54 R45	R46 R45	R72	R71	R43 R44 R44	R61 R42 R60 R59 R38	R36 R34	R39 R40 R33 R41	R35	R10-R12 R31 R30 R27-R29 R58 R68 R13 R80 R32 R9 R4 R3 R6	R19 R69	R80 R20-R22 R6 R26 R70 R67	R65 R2	R66 R24 R25	R23 R7	R5 R1				
MScf P1	P3 H.F.C.1 MSe1 V2 MSbf	MScf L23 MSdf L1	L24 F.S.wf S2 F.S.xf	L4-L6 H.F.C.6 L33 F.S.xr	V3 L32 F.S.yr	L7-L12 F.S.yr F.S.yf	L19 V4	F.S.zf L13-L17 F.S.zf	V5 L20 MSaf	V6 L21 L25 MScf	V7 F.S.zr	S4 L22 V10	V8 L29	S5 MS.br L28	L27 L26 V9	P2	P1 MS.ar					

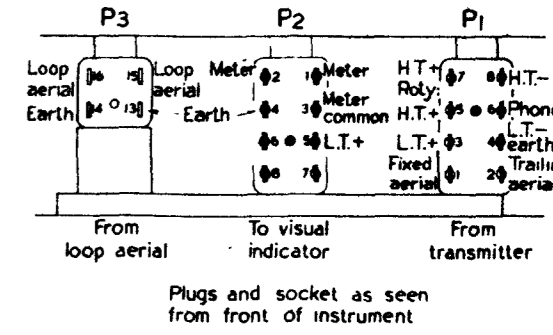
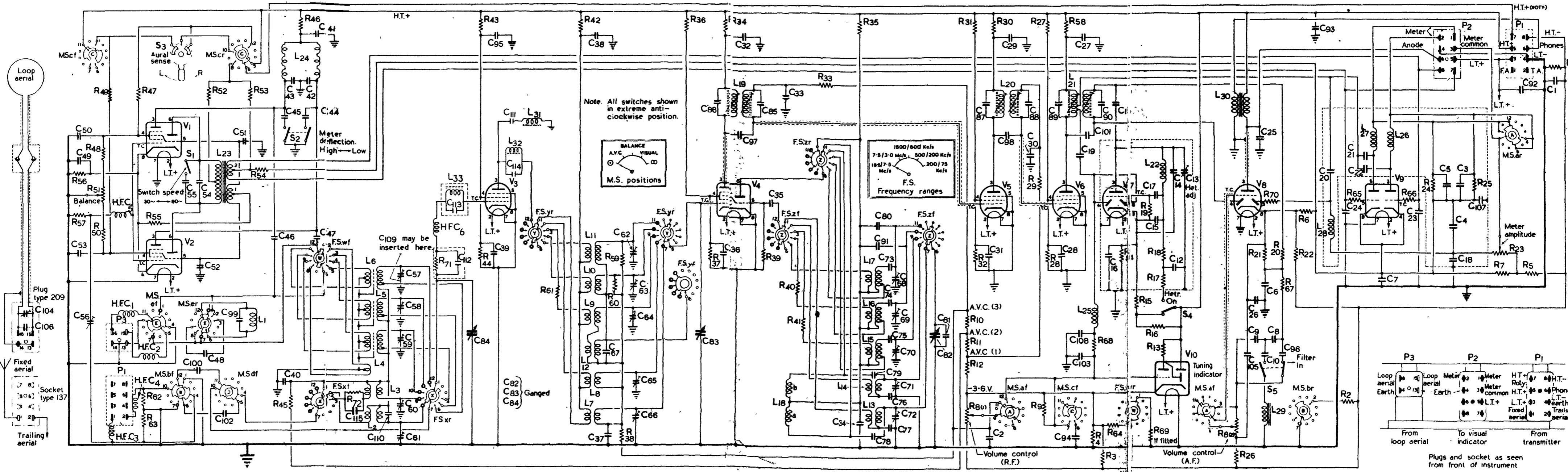


FIG. 3A

R.1155B AND R.1155F CIRCUIT DIAGRAM

FIG. 3A