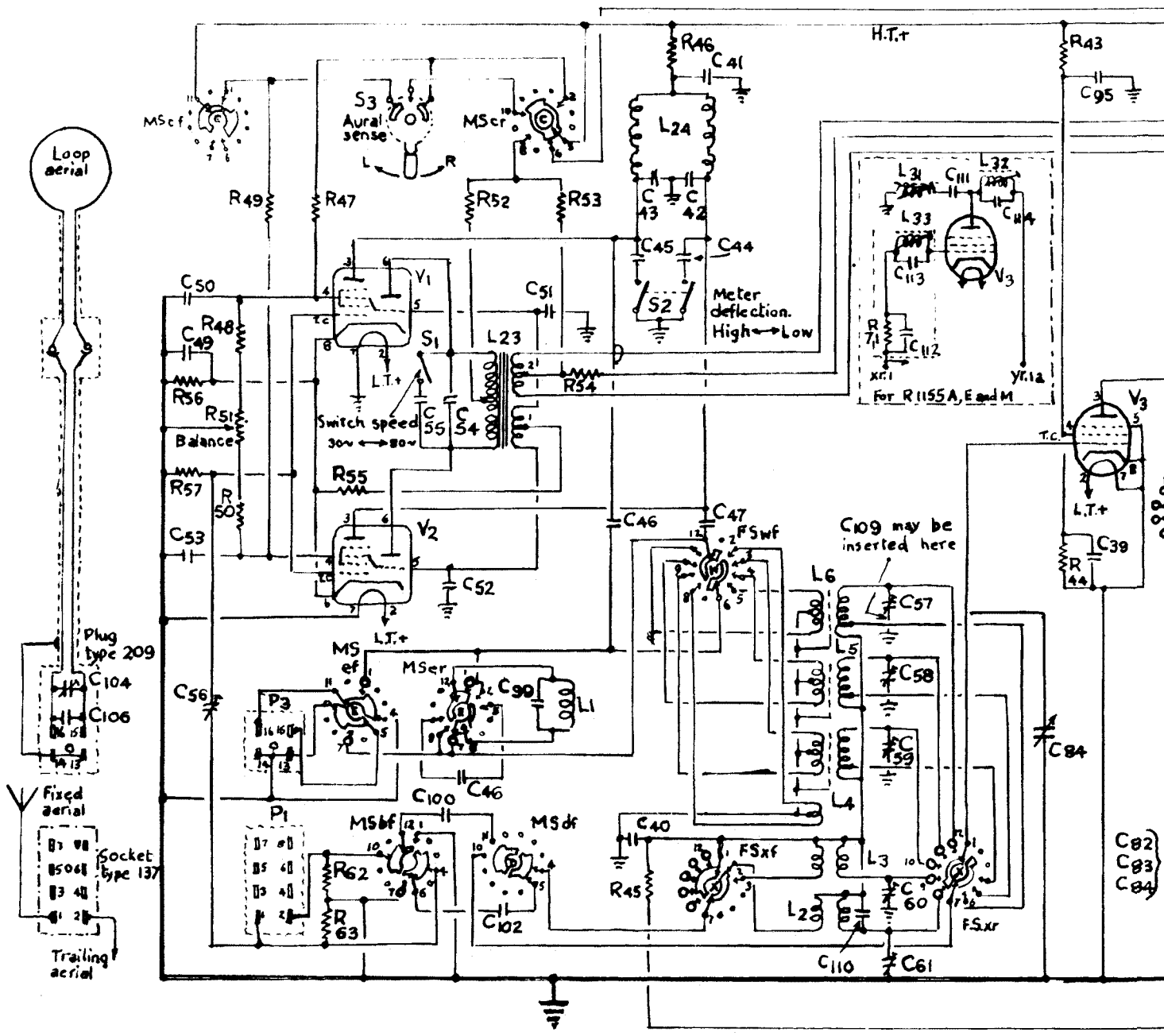
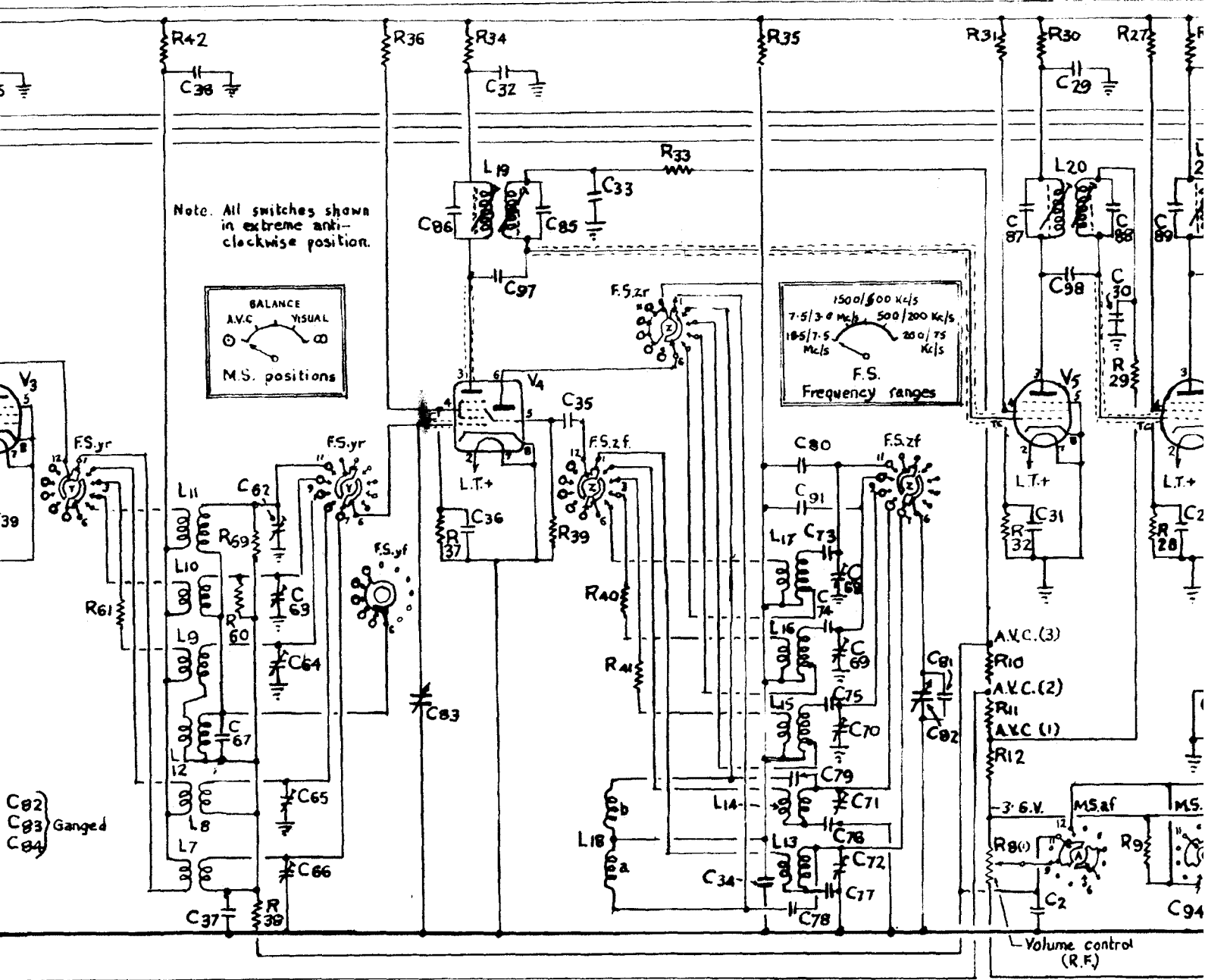


C104 C106	C50 C49 C53	C56 C53	C55 C400	C54 C48	C102 C48	C99 C52	C51 C52	C40 — C47	C57 — C61 C109 — C114	C84 C39	C95 C39
R56 R57	R48 — R51 R62 R63	R47 R55	R52	R53 R54	R46	R45	R71	R43 R44			
MScf P1	V1 MSef V2	S3 S1 MSbf	MSer MSdr	L23 L1	L24 S2	FSwf FSxf	L4 — L6	L31 — L33 FSar		V3	



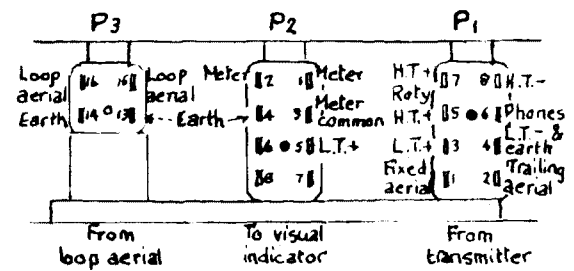
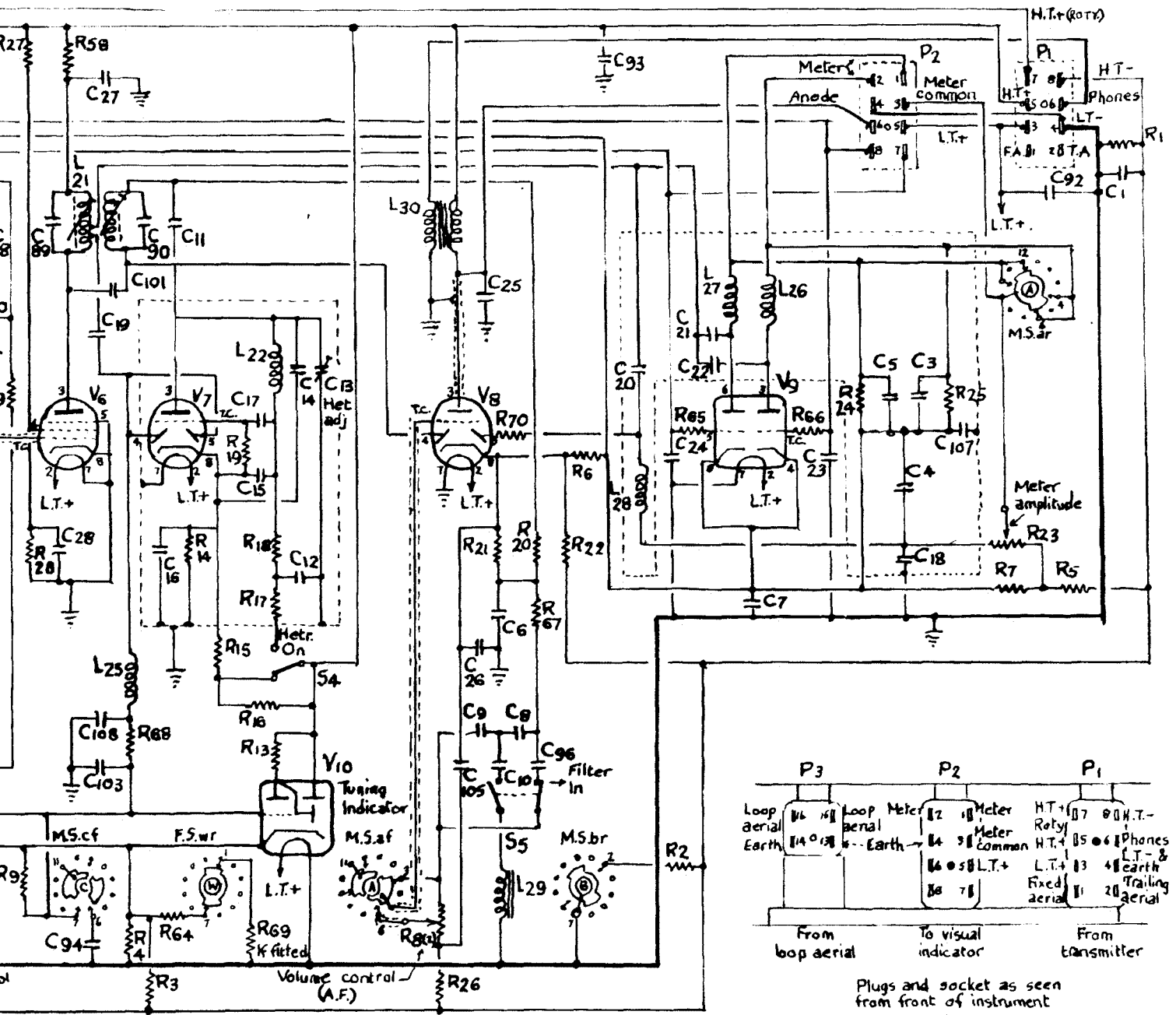
Note. Switch contacts shown thus \odot , denote front (f) a rear (r) contacts connected. Important. In order to avoid excessive crossing of connecting wires certain switch wafers have been duplicated.

C38	C67	C62-C66	C83	C86	C32	C85	C33	C34	C68-C80	C87	C29	C88	C89	C19	C9		
C37			C36	C97			C35		C91	C82	C81	C31	C2	C98	C30	C28	C9
R61	R42	R60	R59	R36	R34	R39	R40	R33	R35	R10-R12	R31	R30	R27-R29	R51			
		R38			R37		R41			R8(1)	R32		R9				
F5.yr	L7-L12		F5.yr	F5.yf	L19		F5.zf	F5.xr		L13-L17		F5.zf	V5	L20		V6	MS
					V4		L18						MSaf				



R.1155 AND R.1155D CIRCUIT DIAGRAM INCLUDING R.1155 A, R.1155 E, AND R.1155 M MODIFICATIONS

C89	C19	C101	C17	C90	C11	C17	C14	C13	C8-C10	C96	C93	C24	C21	C7	C23	C3-C5	C107	C92	C1		
C28	C94	C108	C103	C16	C15	C12			C105	C26	C25	C6	C22								
R29	R58	R68	R13		R19				R86	R20	R22	R6		R65		R66	R24	R25	R23	R5	R1
R4	R3	R64	R69		R69				R26	R70	R67			R2					R7		
V6	L21	L25	V7		S4	MSaf			L30	S5	MSbr	L28		L27	L26	P2			P1		
MScf			F.S.wr		L22	V10			Y6	L29				V9					MSar		



Plugs and socket as seen from front of instrument

R86, R66 } Ganged