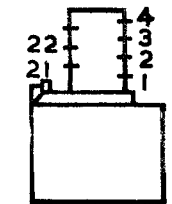
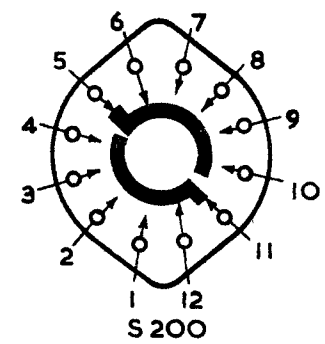


PLUG B  
VIEW LOOKING AT  
BLADE CONTACTS

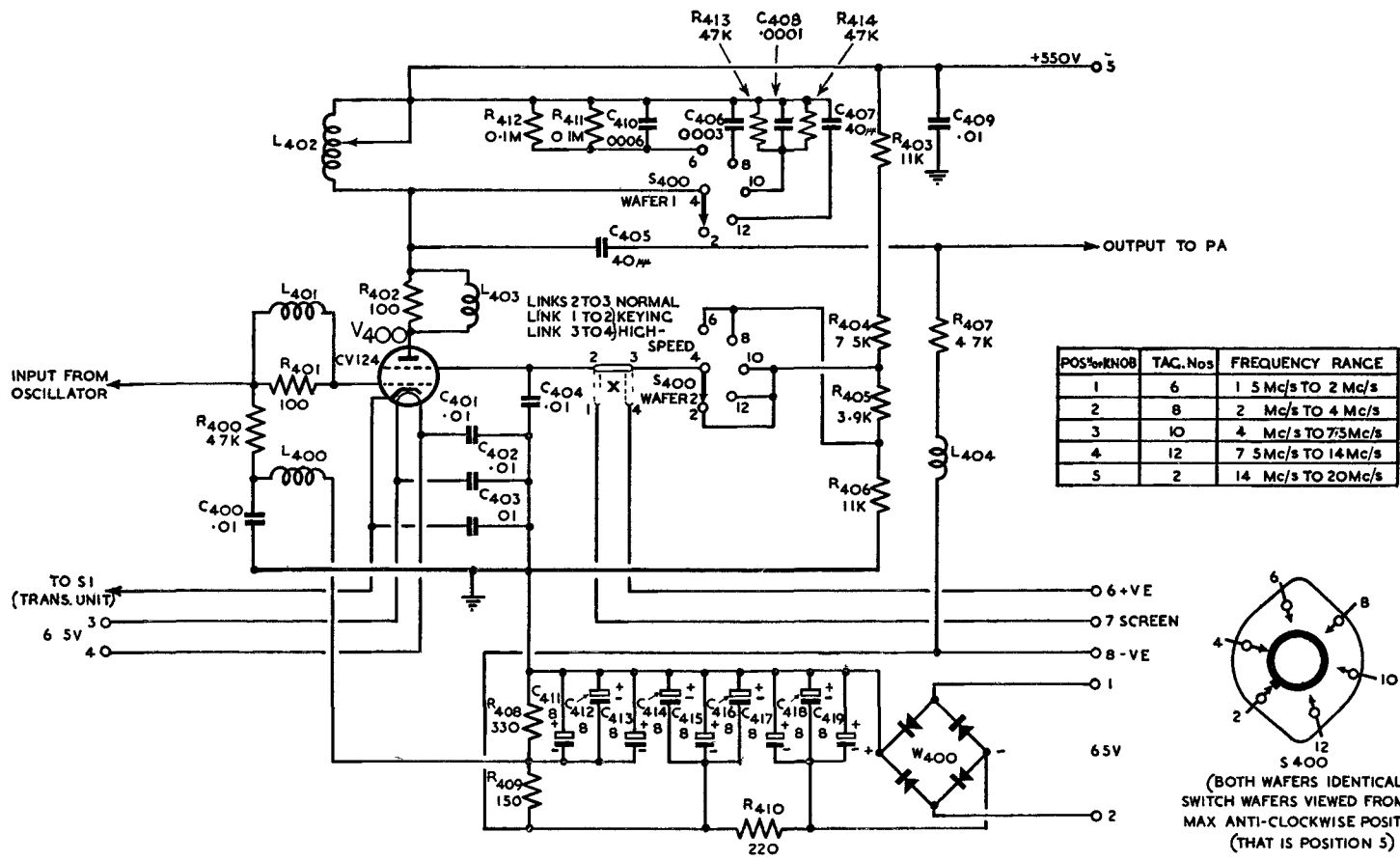


INDEX TO CONTACT  
NUMBERING RELAY B/1



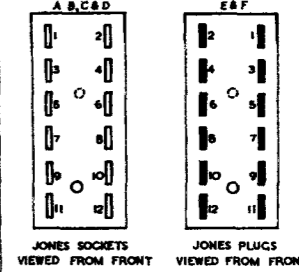
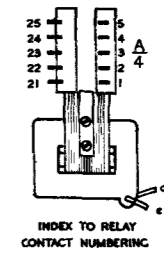
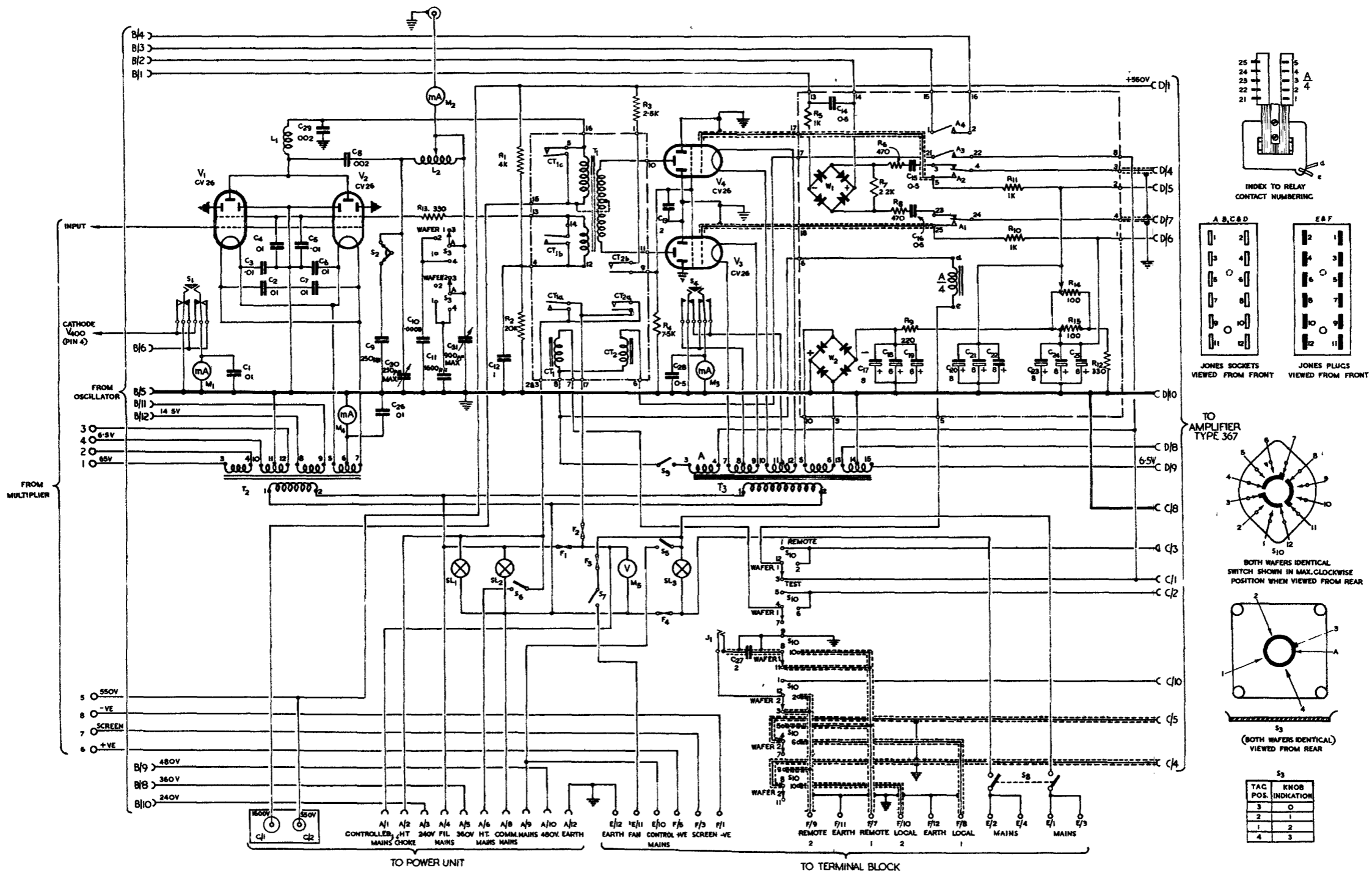
FOUR WAFERS IDENTICAL  
SWITCH WAFERS VIEWED FROM  
REAR IN MAX. ANTI-CLOCKWISE  
POSITION OF KNOB.  
(THAT IS, POSITION 5)

FIG. 2 — T1509, OSCILLATOR UNIT, CIRCUIT

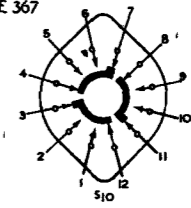


POS. OF KNOB	TAG. Nos	FREQUENCY RANGE
1	6	1.5 Mc/s TO 2 Mc/s
2	8	2 Mc/s TO 4 Mc/s
3	10	4 Mc/s TO 7.5 Mc/s
4	12	7.5 Mc/s TO 14 Mc/s
5	2	14 Mc/s TO 20 Mc/s

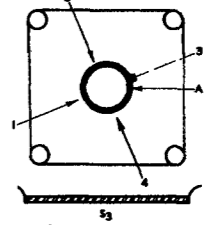
FIG. 5. CIRCUIT OF MULTIPLIER UNIT



TO AMPLIFIER TYPE 367



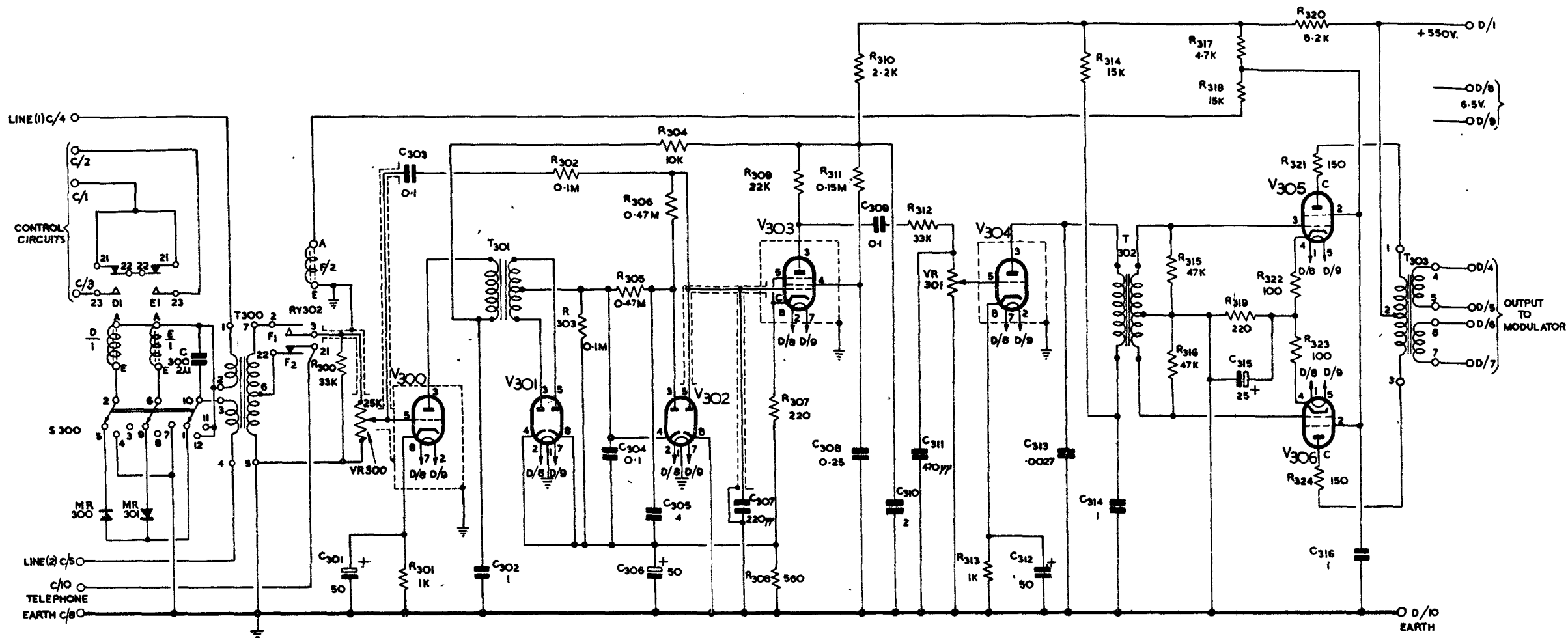
BOTH WAFERS IDENTICAL SWITCH SHOWN IN MAX. CLOCKWISE POSITION WHEN VIEWED FROM REAR



(BOTH WAFERS IDENTICAL) VIEWED FROM REAR

TAC POS.	KNOB INDICATION
3	0
2	1
1	2
4	3

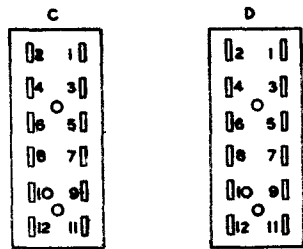
FIG.8. CIRCUIT OF TRANSMITTER UNIT, T.1509



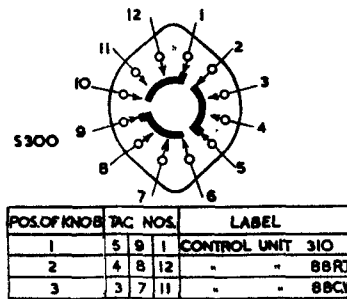
ALL POTS SHOWN IN MAX. ANTI-CLOCKWISE POSITION.

S300 SHOWN IN POSITION FOR OPERATION FROM CONTROL UNIT TYPE 310

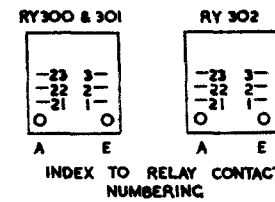
CENTRE POSITION = RT. FOR CONTROL UNIT TYPE 88  
RIGHT HAND SIDE = CW



JONES PLUGS (VIEW LOOKING ON TACS)



SWITCH SHOWN IN MAX. CLOCKWISE POSITION WHEN VIEWED FROM REAR.



INDEX TO RELAY CONTACT NUMBERING

FIG. 13. AMPLIFIER TYPE 367.

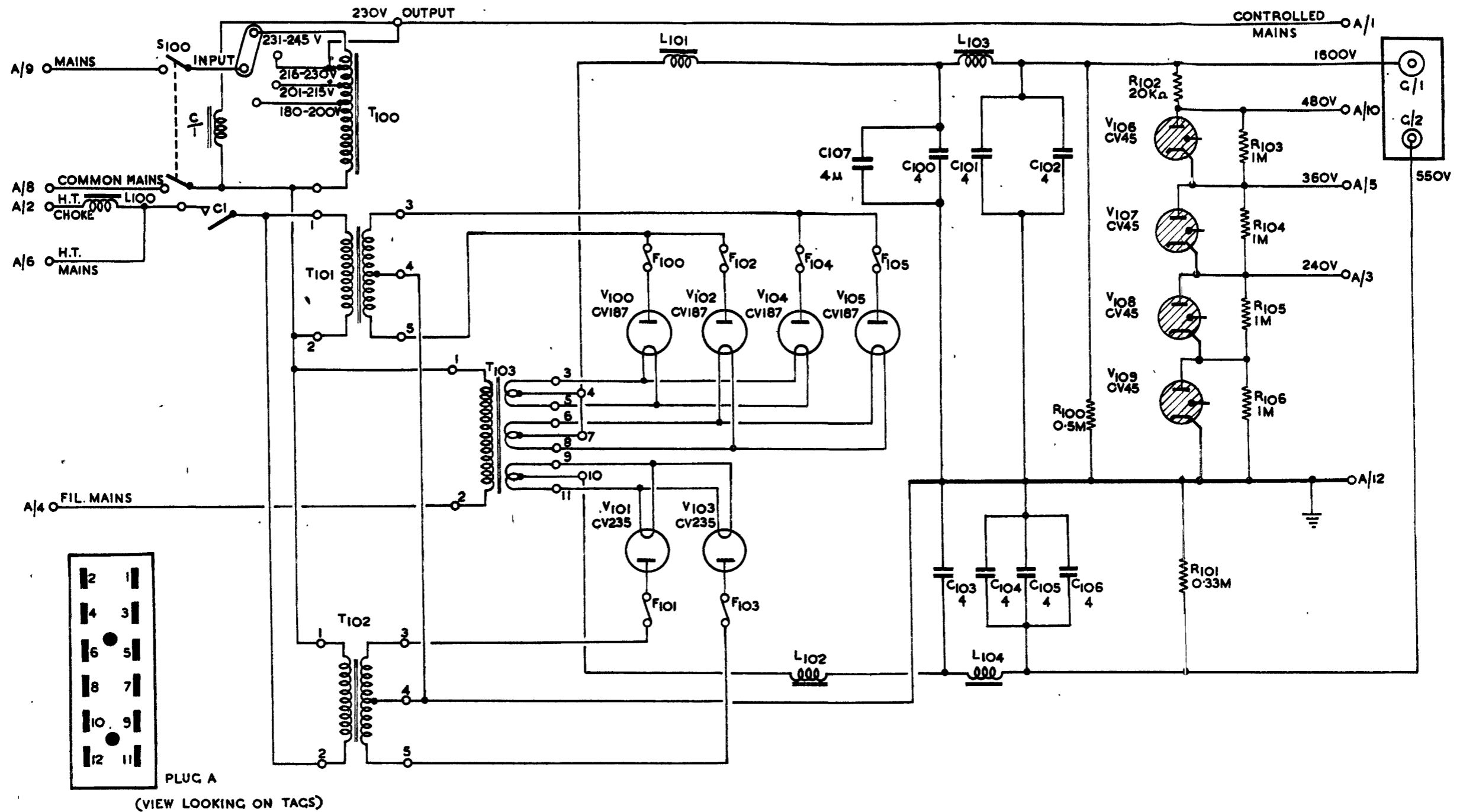


FIG.15. POWER UNIT, TYPE 381

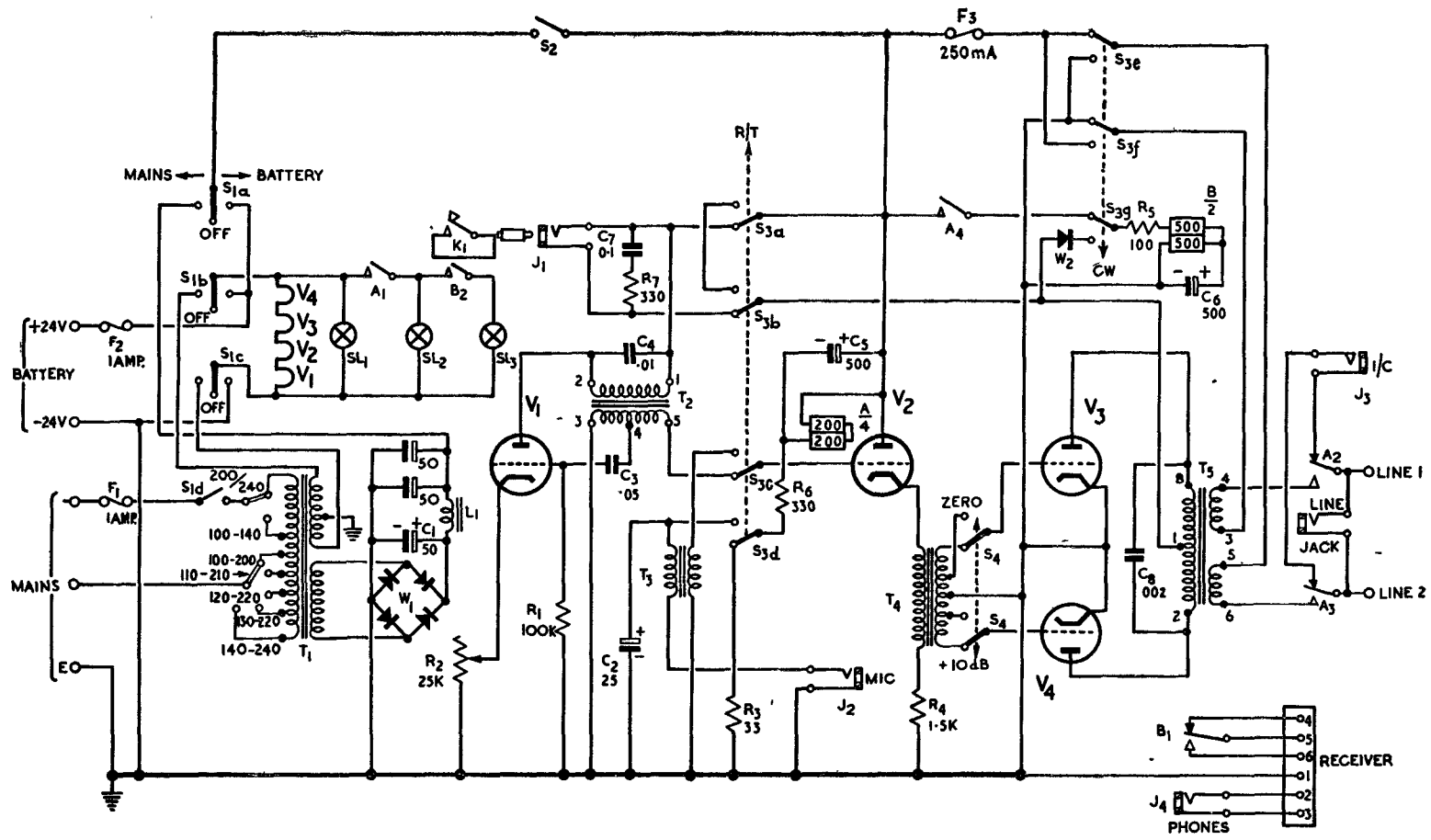


FIG. 17. CIRCUIT OF CONTROL UNIT, TYPE 310

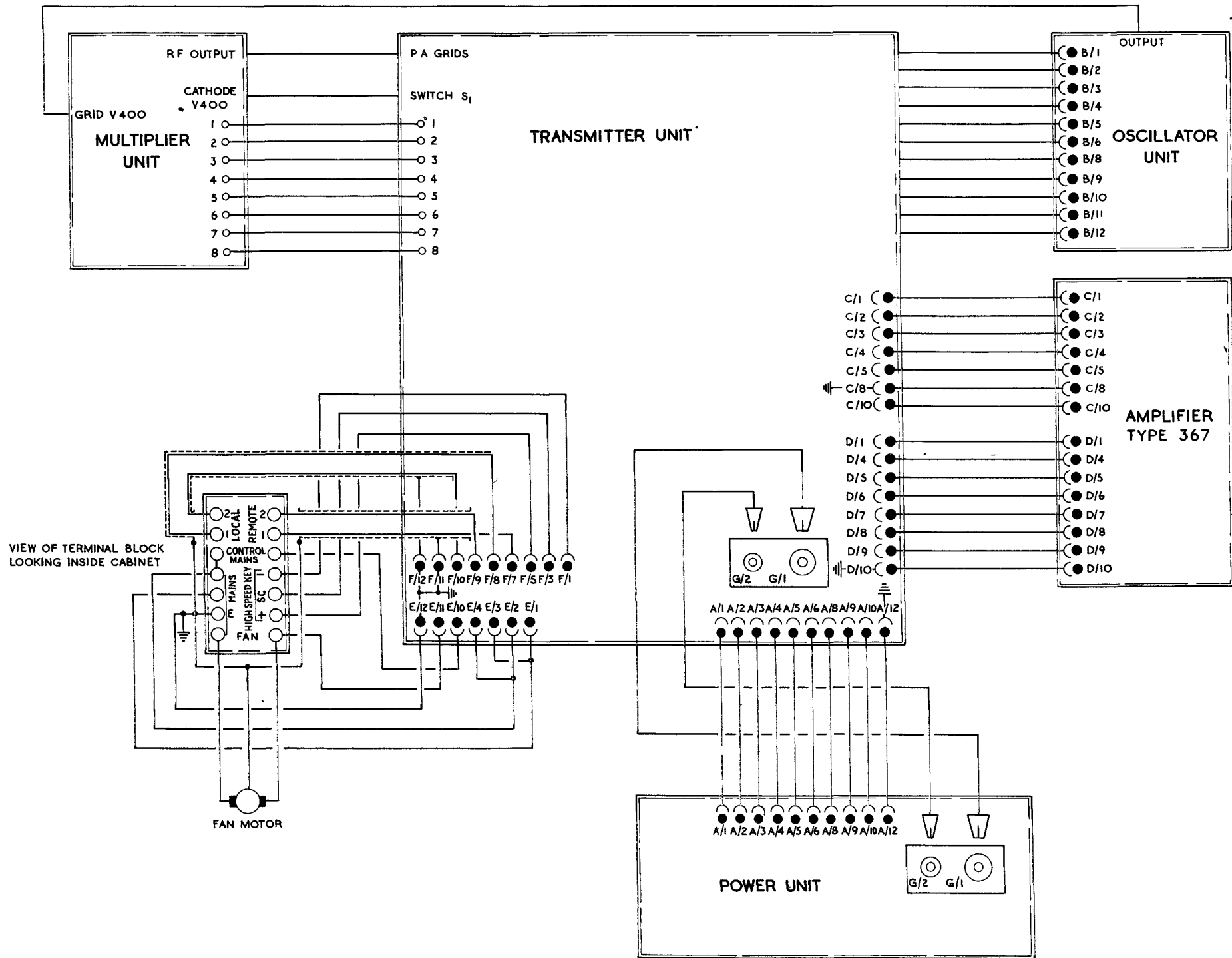
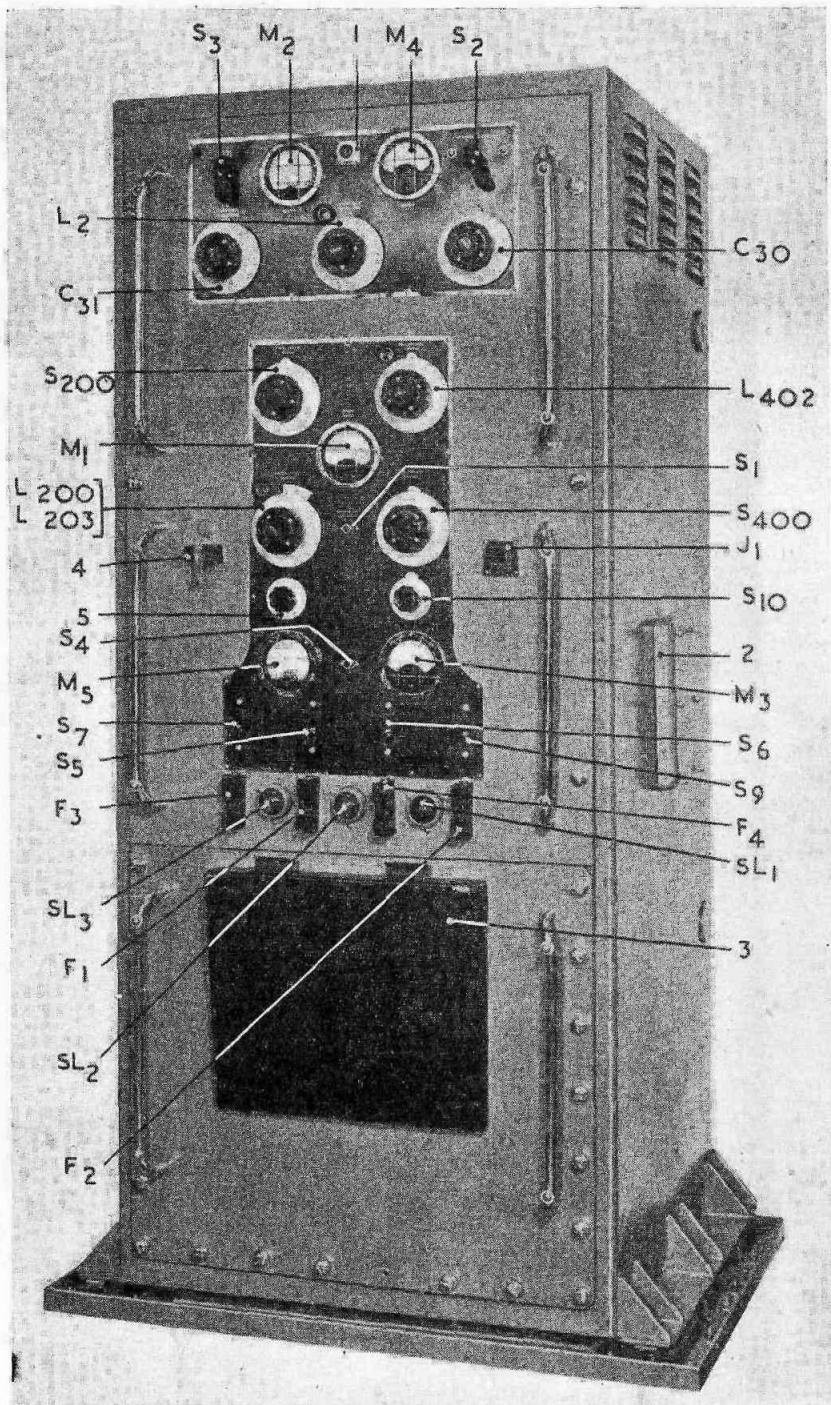


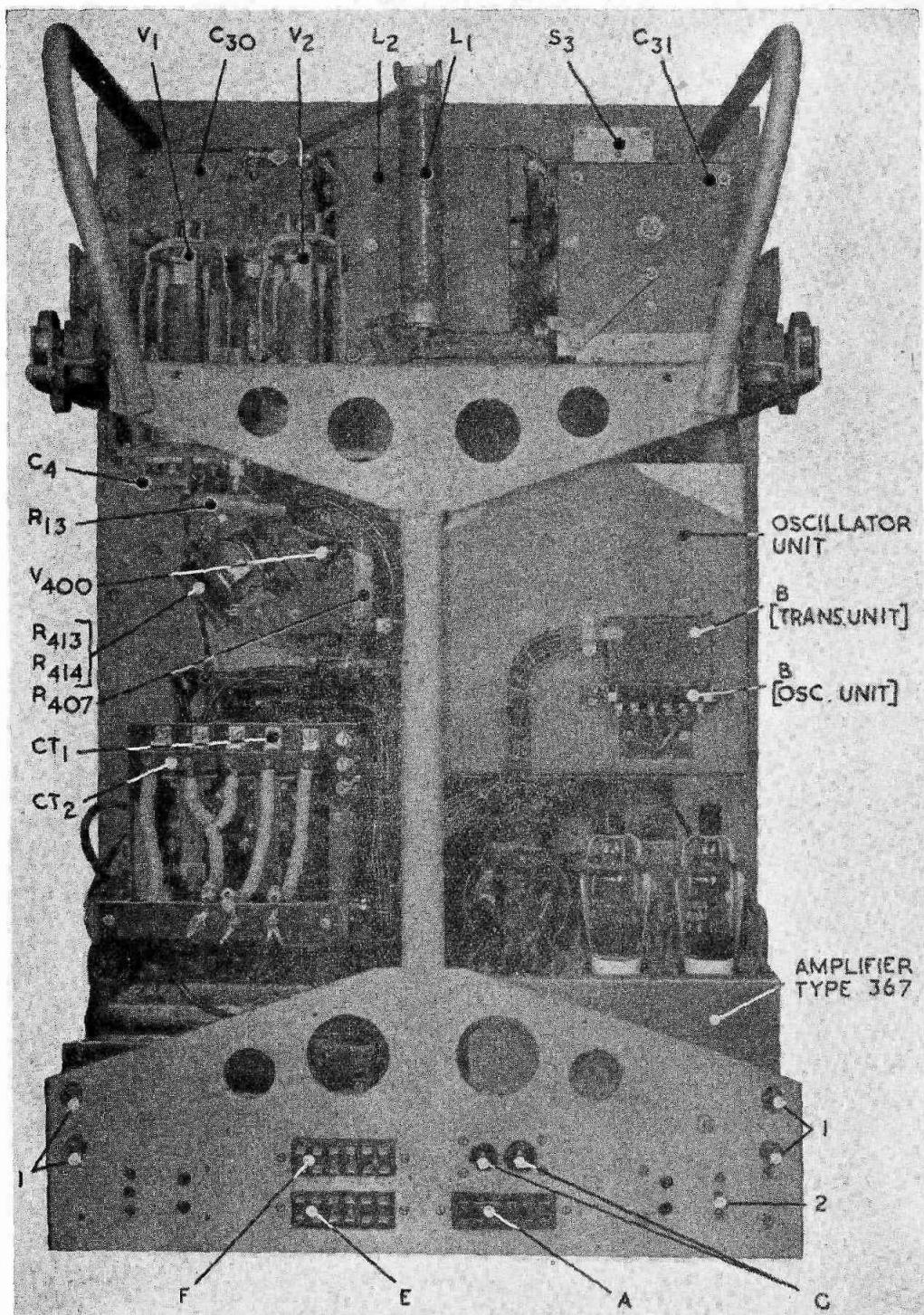
FIG. 32 — INTERCONNECTION OF UNITS, T.1509



- |                               |                                  |
|-------------------------------|----------------------------------|
| 1 OUTPUT SOCKET               | 4 CRYSTAL                        |
| 2 MAIN TERMINAL BLOCK         | 5 OSCILLATOR FINE TUNING CONTROL |
| 3 TRAY FOR CALIBRATION CHARTS |                                  |

FIG. I. GENERAL VIEW OF TRANSMITTER, T.1509





I SCREWS FOR ATTACHMENT OF CABLE ARMS

FIG. 21. REAR VIEW OF TRANSMITTER UNIT

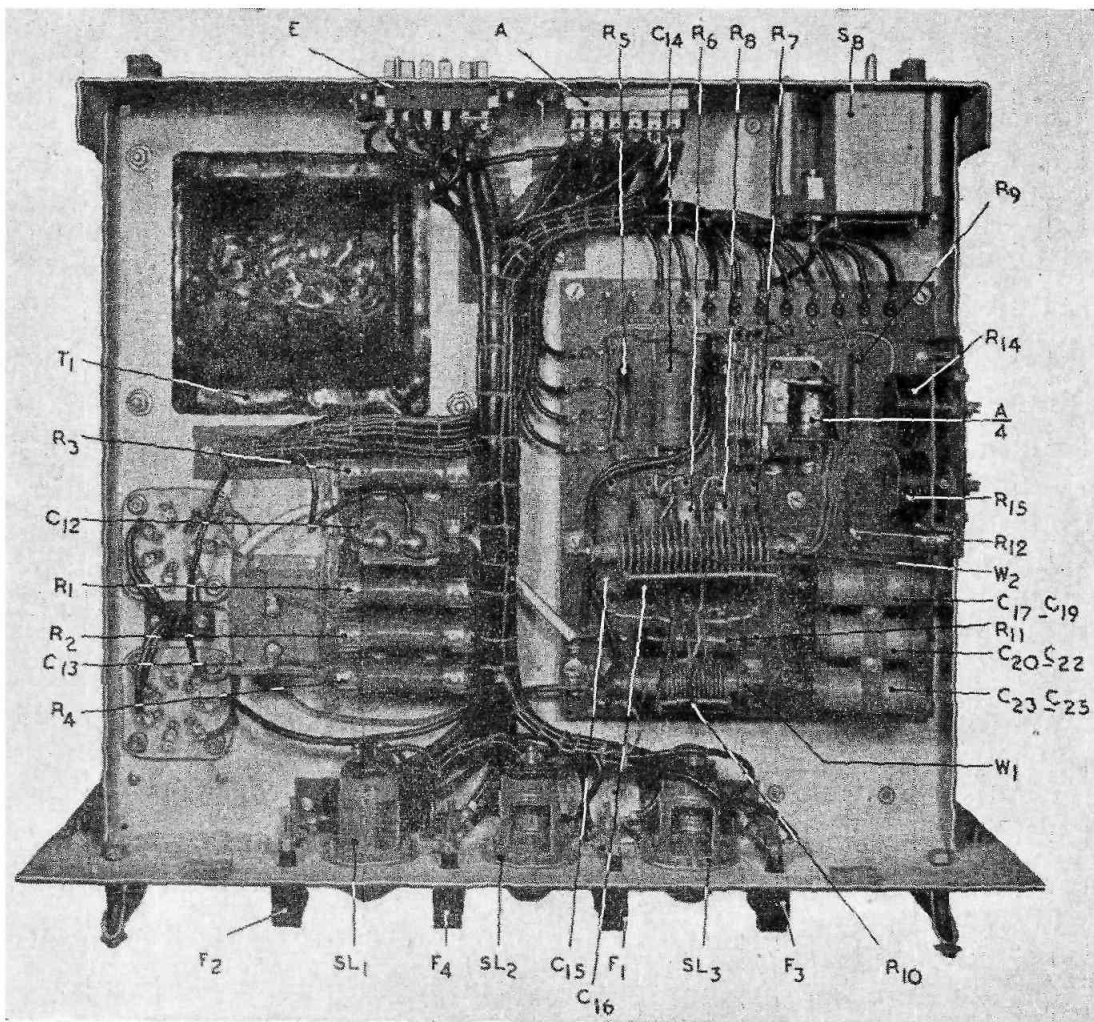
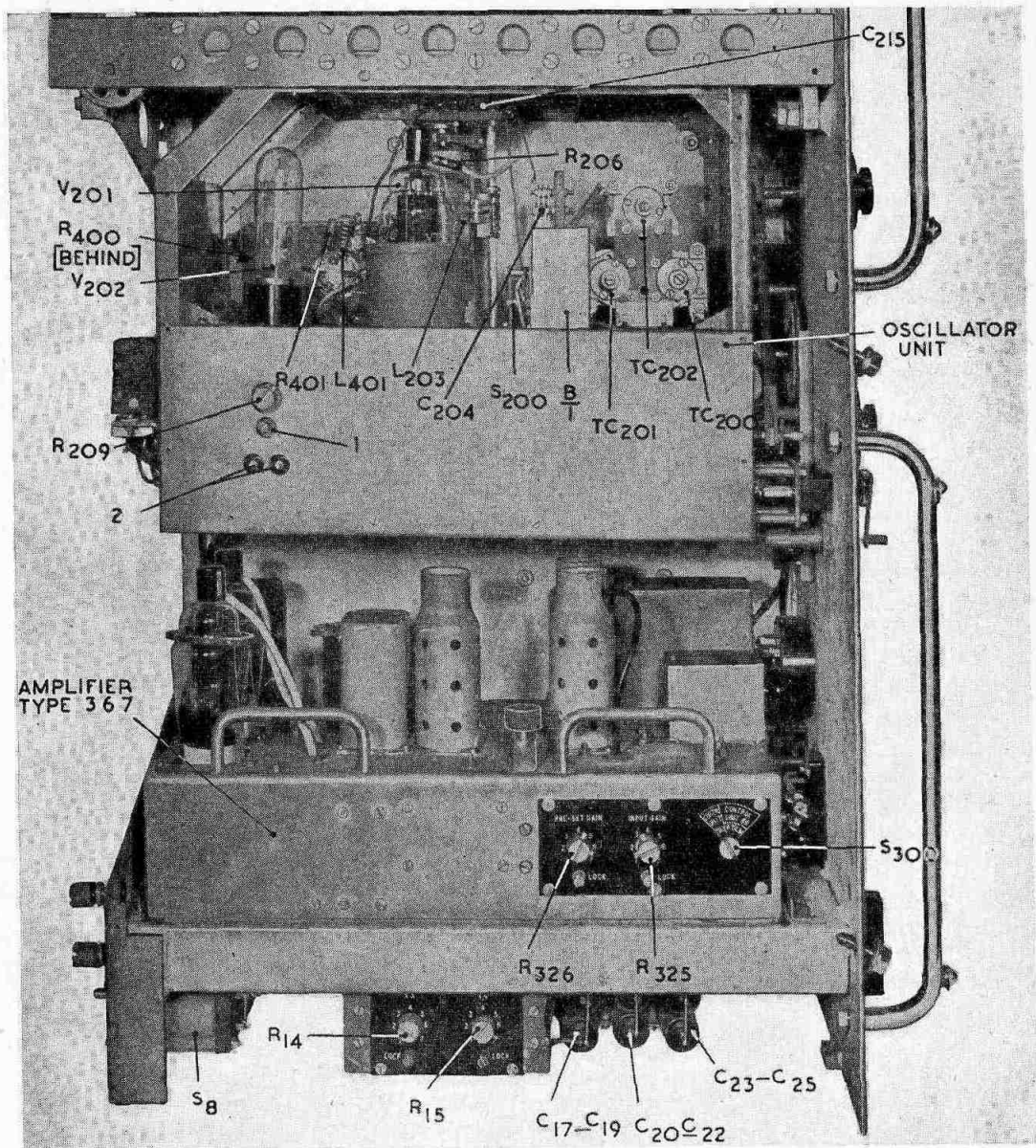


Fig. 22. Underside view of transmitter unit



1 LOCKING SCREW FOR LT POTENTIO METER

2 TEST POINTS FOR LT VOLTAGE MEASUREMENT

Fig. 23. Oscillator and amplifier units located in transmitter unit

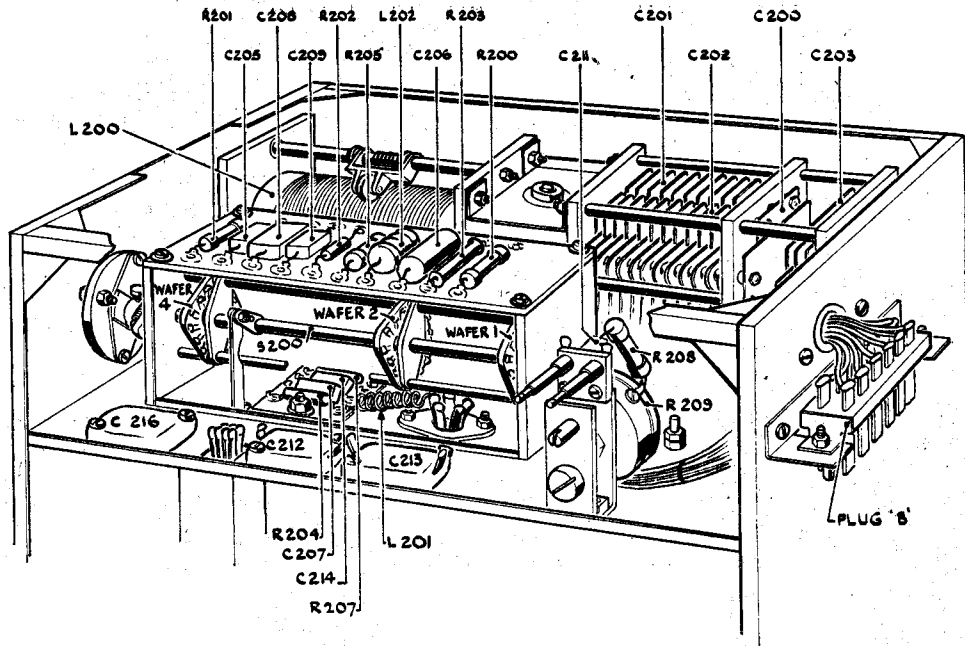


Fig. 24. Underside of oscillator unit

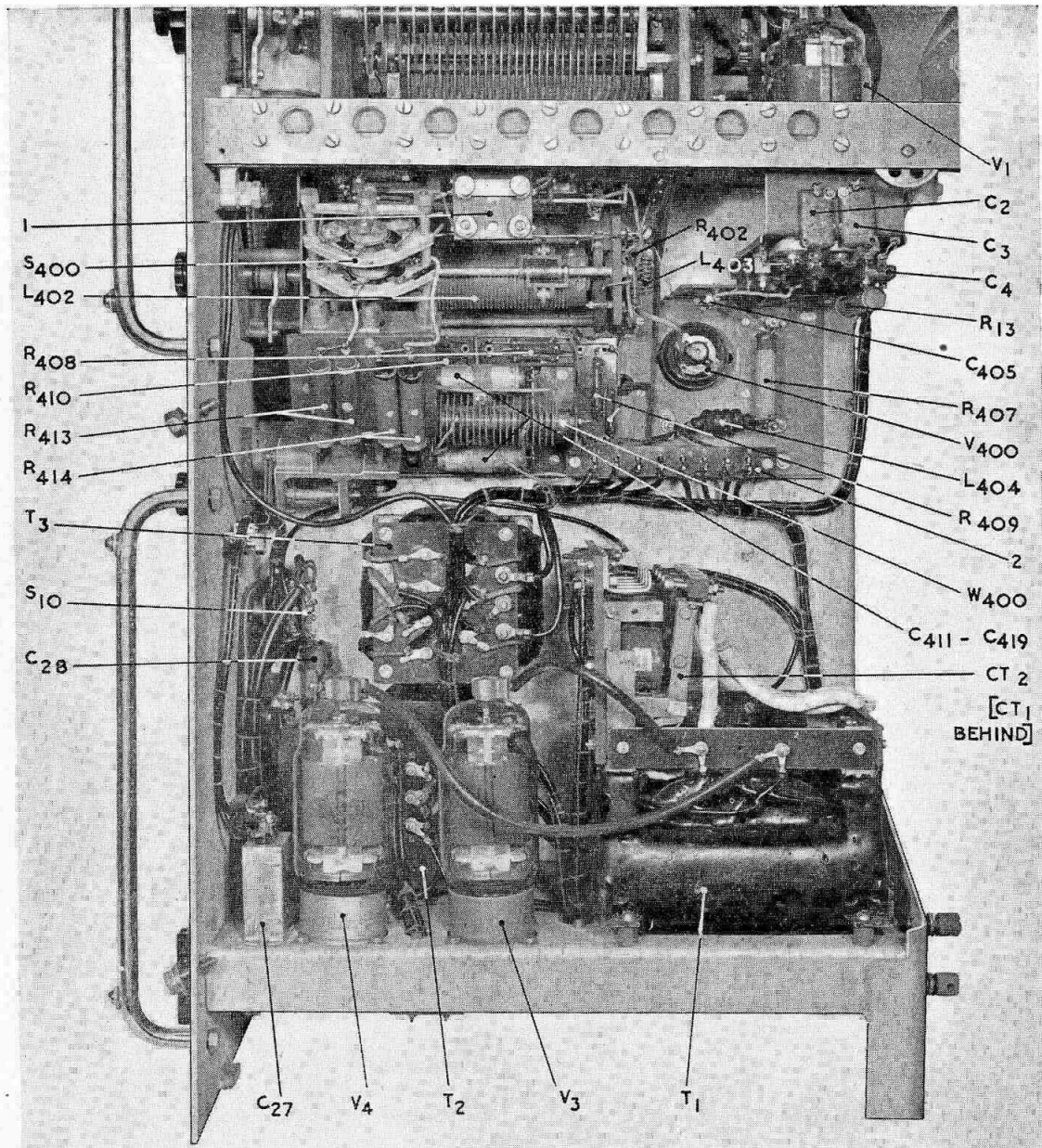


Fig. 25. Multiplier unit and modulator valves

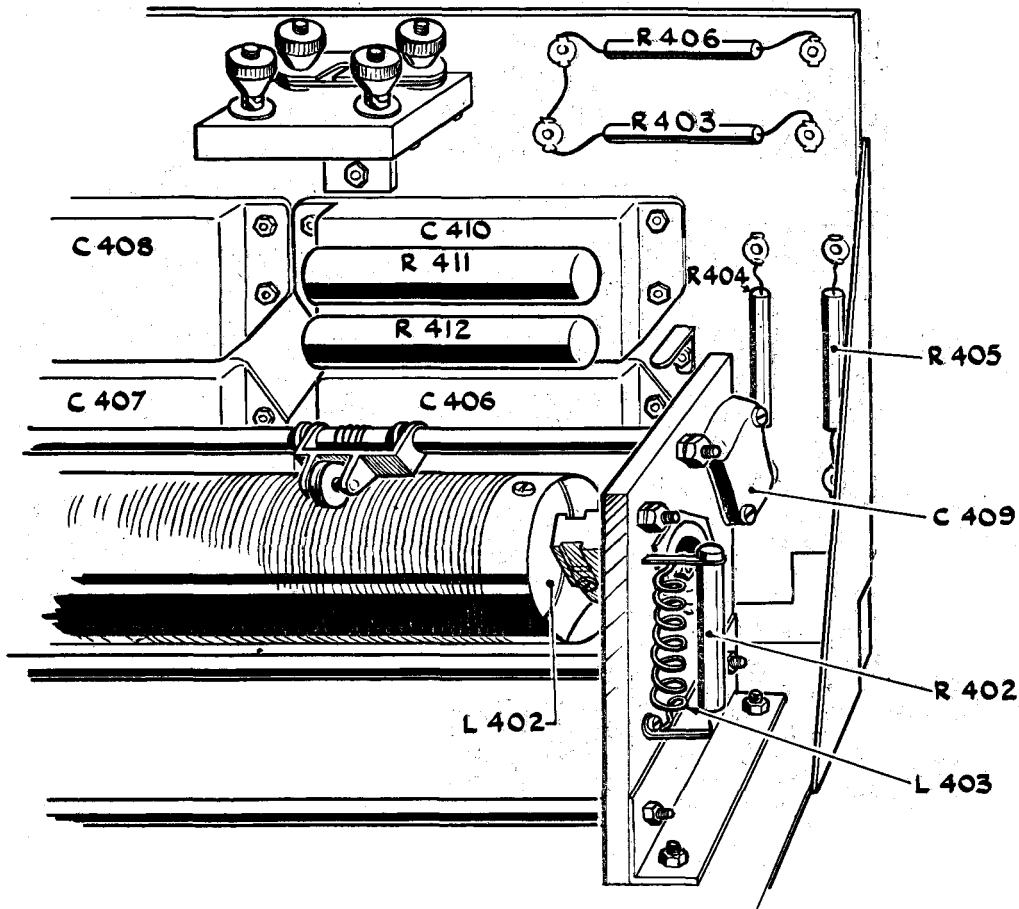


Fig. 26. Close-up view of multiplier unit

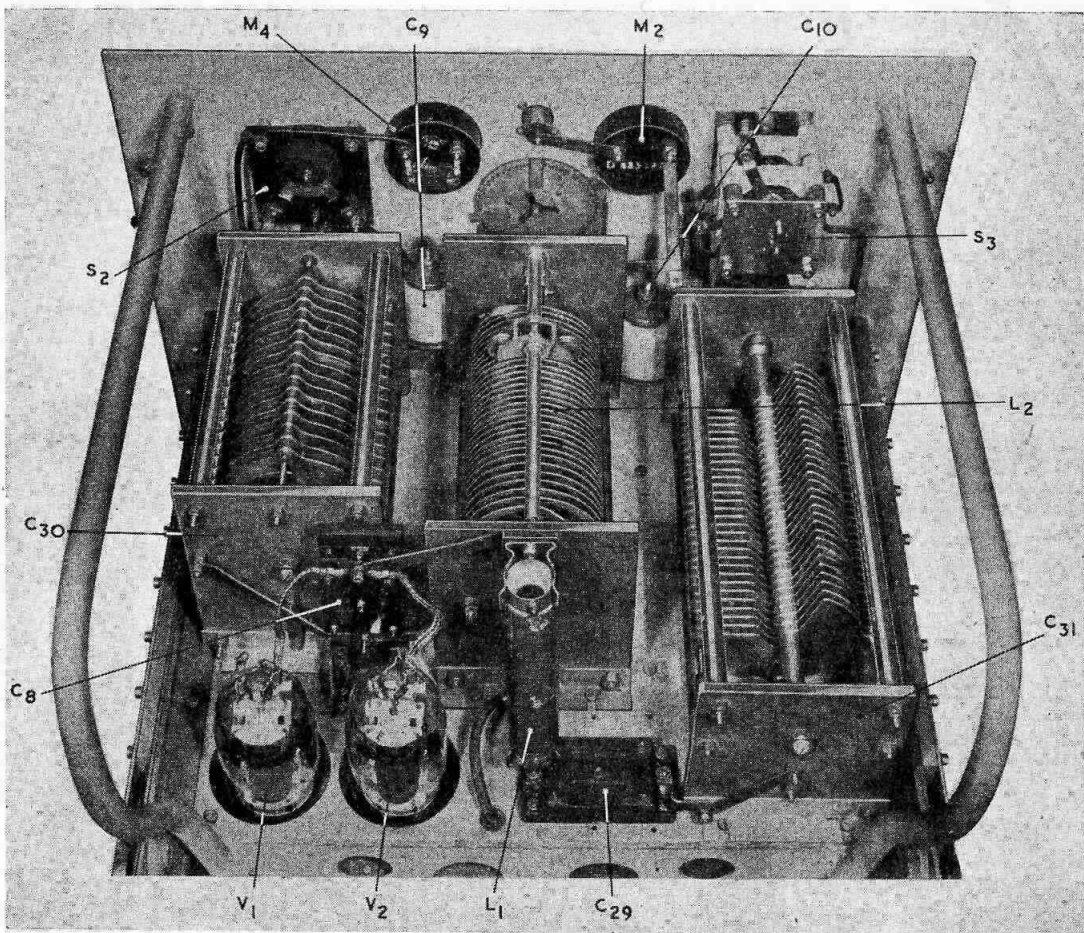


Fig. 27. Power amplifier components

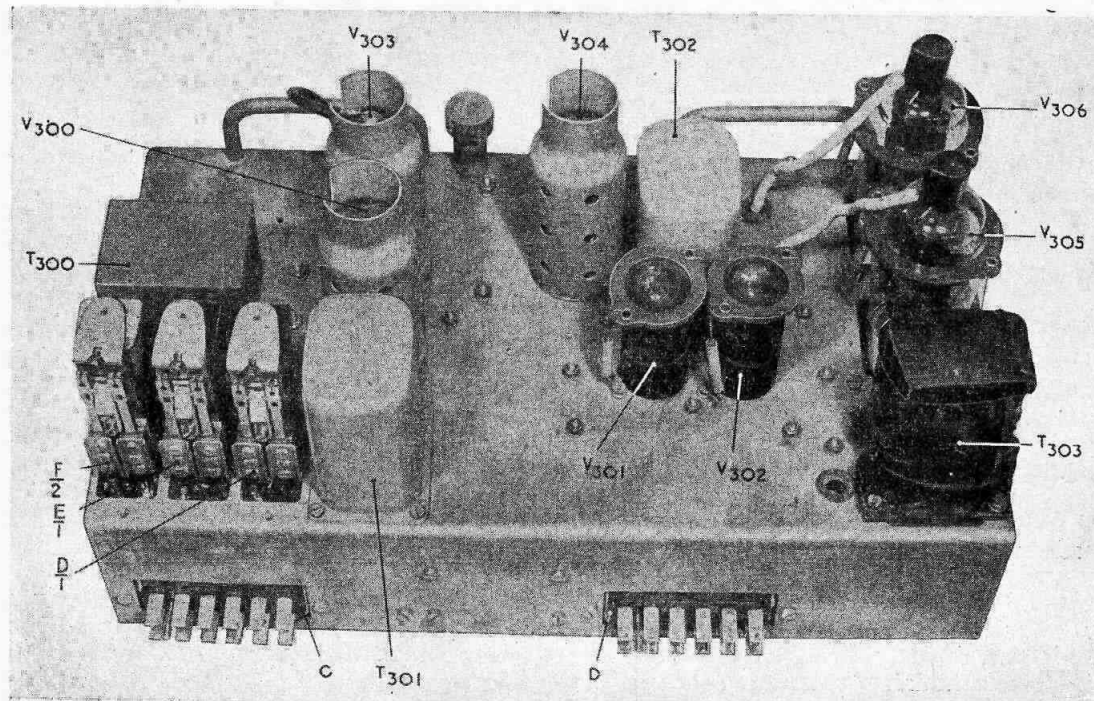


Fig. 28. Top of chassis, amplifier, Type 367

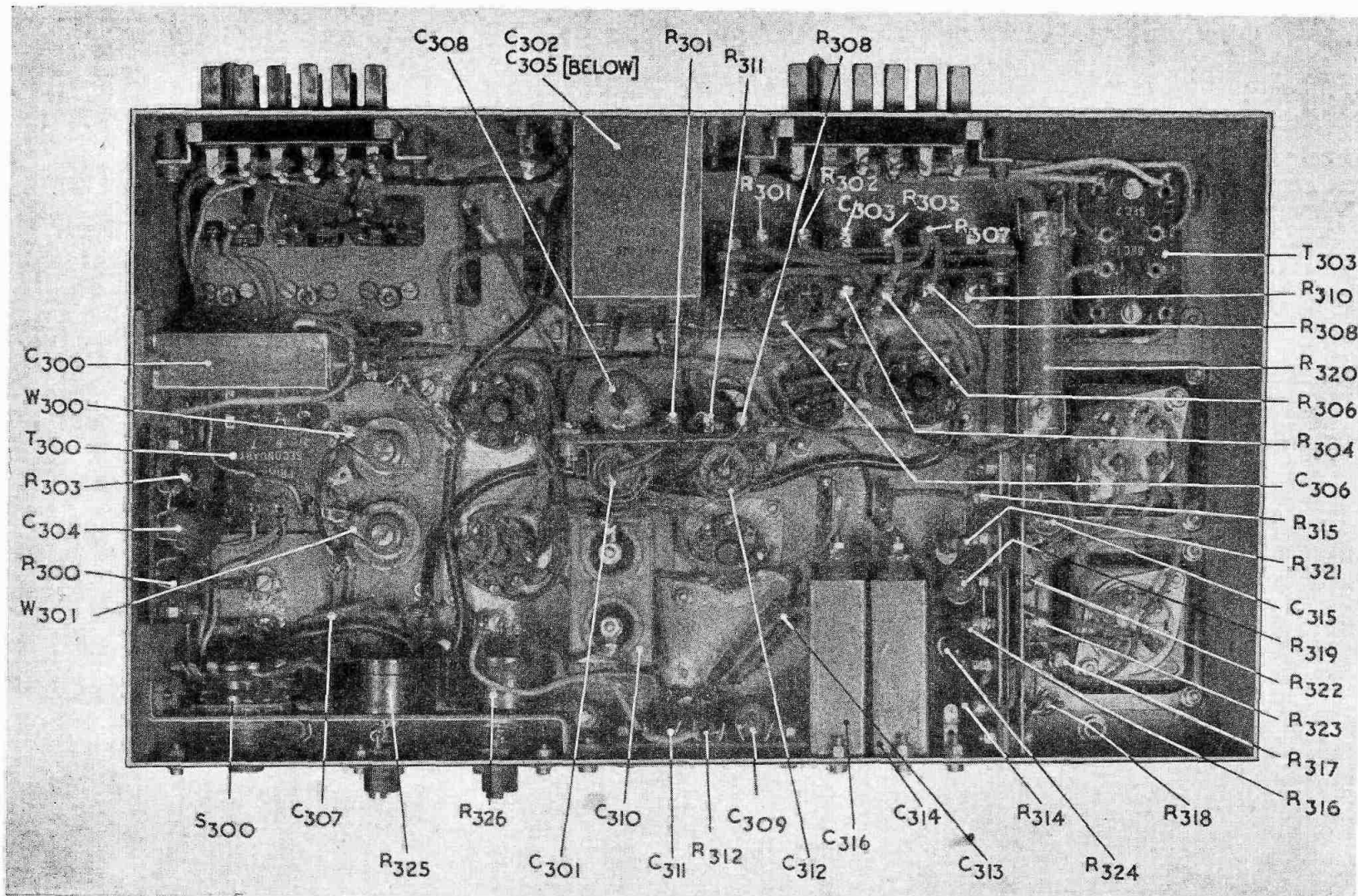


FIG. 29. UNDERSIDE OF AMPLIFIER CHASSIS



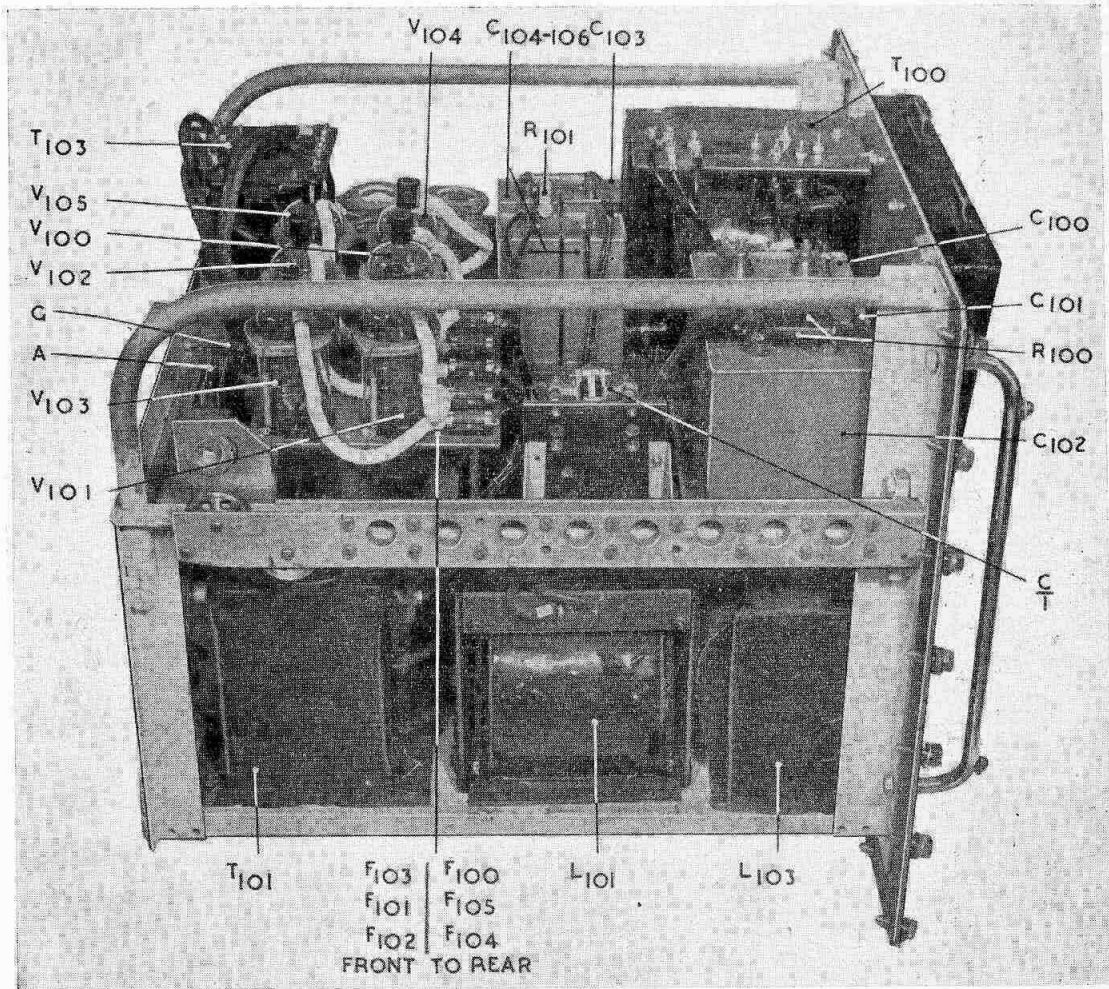


Fig. 30. Power unit, Type 381, left-hand view

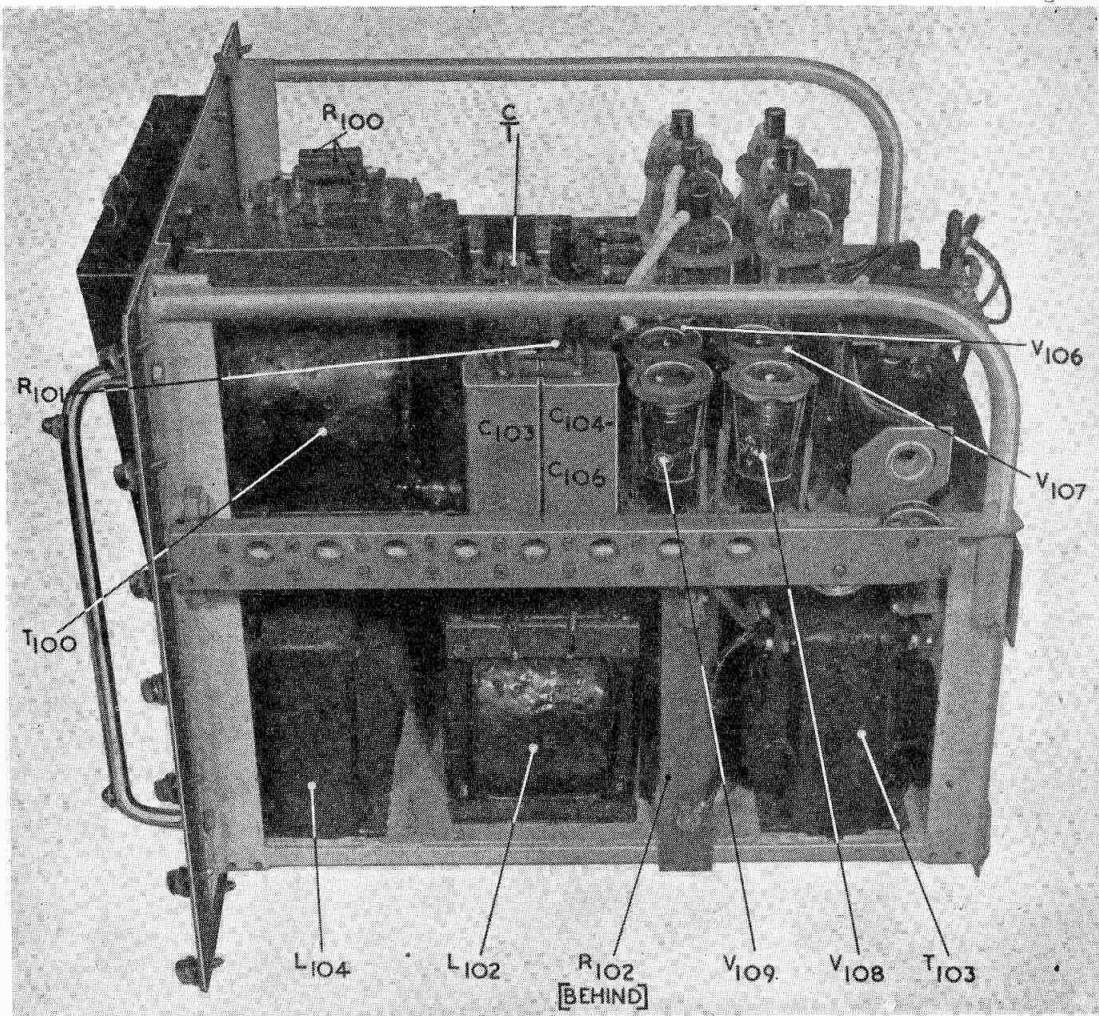


Fig. 31. Right-hand view of power unit

on them. The pins come up against the rear edge of the rollers when the channels are pulled forward and care should be taken to ascertain that the stops are correctly positioned before placing the unit on the channels. If this is not done, there is nothing to prevent the unit rolling off the channels and falling to the ground. For the same reason, if it is found that the unit will not go properly home, it can be assumed that the channels stops are on the wrong side of the rollers. If for any reason it is thought that the unit is incorrectly mounted, it is strongly urged that the block and tackle is affixed before any attempt is made to withdraw the unit. This precaution is necessary to prevent accidents to personnel.

#### Power unit

**189.** Adjustment of the power pack in the cabinet is undertaken in a similar manner to that of the transmitter unit, and the precautions mentioned in the case of the main unit also apply to this unit.

#### Components

**190.** The following are the Air Ministry Type and Stores Ref. numbers of the

components mentioned in this volume and which may need renewal. The information given here may be added to or superseded by, Vol. II, Part 1 leaflets or by Vol. III.

#### Note . . .

*Smoothing chokes L101 and L103 (fig. 15). Modification leaflets have been distributed in connection with the replacement of the choke L101 (Stores Ref. 10C/16919) in transmitters having serial numbers 101 to 497 (inclusive) and 1,101 to 1,250 (inclusive) instructing personnel to renew this choke using choke Stores Ref. 10C/17967. In the event of choke L103 becoming defective in the same series of transmitters, i.e. serial numbers 101 to 497 and 1,101 to 1,250, this, again, should be renewed by fitting choke Stores Ref. 10C/17967. Chokes L101 and L103 supplied in transmitters having serial numbers 501 to 1,100 (inclusive) have the same reference numbers as those fitted in transmitters having serial numbers 101 to 497 and 1,101 to 1,250. However, the chokes fitted in transmitters serial numbers 501 to 1,100 are unlikely to become defective (being of different manufacture) but, in the event of breakdown, should be renewed by fitting the new choke Stores Ref. 10C/17967.*

Stores Ref.	Nomenclature	Qty.	Ref. in fig. 15	Remarks
10D/1721	Transmitter, Type T.1509			Ground station transmitter,
	Consisting of—			CW, MCW, and R/T
10K/1454	Power unit, Type 381	1		See below
10D/1758	Transmitter unit, Type 59	1		See below
	Includes—			
10U/239	Amplifying unit, Type 367	1		See below
10D/2604	Multiplier unit	1		See below
10V/600	Oscillator unit, Type 180	1		See below
10K/1454	<b>Power unit, Type 381</b>			
	Principal components—			
10C/12847	Condensers, Type 4095	4	C100-C102 C107	4 $\mu$ F, $\pm 20$ per cent., 2 kV DC
10C/14758	Condensers, Type 4956	4	C103-C106	4 $\mu$ F, $\pm 20$ per cent., 600V DC
10C/16918	Choke, LF, Type 702	1	L100	Series choke, mains
10C/17967	Choke, LF, Type 806	1	L101	Smoothing
10C/16919	Choke, LF, Type 703	1	L103	Smoothing
10C/16920	Choke, LF, Type 704	2	L102 L104	Smoothing
10AD/33	Contacting, Type 65	1	C I	Time delay, single-pole, 250V AC
10H/9613	Fuses, Type 5	6	F100-F105	1A, 1 $\frac{1}{4}$ in. glass cartridge
10H/10153	Holder, fuse, Type 3	6		1 $\frac{1}{4}$ in. cartridge, baseboard mounting

Stores Ref.	Nomenclature	Qty.	Ref. in fig. 15	Remarks
10H/499	Holder, valve, Type 75	10		British 4-pin
10H/4048	Plug, Type 563	1	A	12-pole
10H/Z.A. 25618	Plug, 2-pole, moulded, No.38	1	G1 G2	2-pole
	<b>Resistors</b>			
10W/9849	Type 3029	3	R100	1.5M, $\pm 20$ per cent., 2 watt
10W/9836	Type 3022	1	R101	0.33M, $\pm 20$ per cent., 2 watt
10W/6322	Type 6322	4	R103-R106	1M, $\pm 20$ per cent., $\frac{1}{2}$ watt
10W/9820	Type 306	1	R102	20K, $\pm 5$ per cent., 65 watt
10AS/69	Retainers, valve, Type 292	6		For valves CV187 and CV235
10A/19281	Retainers, valve, Type 219	4		For valves, CV45
10F/26	Switch, Type 189	1	S100	Safety switch
10K/16303	Transformer, Type 2226	1	T100	Auto-transformer
10K/16304	Transformer, Type 2227	1	T101	For 1,600V output
10K/16305	Transformer, Type 2228	1	T102	For 550V output
10K/16306	Transformer, Type 2229	1	T103	Filament transformer
10CV/187	Valves, Type CV187	4	V100 V102 V104 V105	
10CV/235	Valves, Type CV235	2	V101 V103	
10CV/45	Valves, Type CV45	4	V106-V109	
10HA/4766	Connectors, valve, Type 41	3		Bead insulated conductor and insulated valve cap, Stores Ref. 10A/12351 6-in. long
10HA/4765	Connectors, valve, Type 40	3		Bead insulated conductor and insulated valve cap, Stores Ref. 10A/12351, 5 $\frac{1}{8}$ in. long
10D/1758	<b>Transmitter unit, Type 59</b>		<i>Ref. in fig. 8</i>	
	<b>Principal components—</b>			
10U/239	Amplifying unit, Type 367	1		See below
5Q/10723	Ammeter, thermo, 0-5	1	M2	2 $\frac{1}{2}$ in. dial, flush mounting
10AB/11	Cap, lamp, Type 22	1		Glass dome. Red. Used with lampholder, Type 25
10AB/955	Caps, lamp, Type 24	2		Glass dome. Green. Used with lampholder, Type 25
10A/17589	Couplings, Type 138 (flexible)	3		For $\frac{1}{4}$ in. spindle
	<b>Condensers—</b>			
10C/15098	Type 5111	6	C1 C2 C3 C6 C7 C26	.01 $\mu$ F, $\pm 20$ per cent., 350V
10C/15255	Type 5212	2	C4 C5	.01 $\mu$ F, $\pm 20$ per cent., 750V DC
10C/7764	Type 109	2	C8 C29	.002 $\mu$ F, $\pm 20$ per cent., mica
10C/16912	Type 6024	1	C9	250 $\mu$ F $\pm 5$ per cent., Porcelain pot, 5 kV
10C/16913	Type 6025	1	C10	800 $\mu$ F, $\pm 5$ per cent., Porce- lain pot, 5 kV
10C/16914	Type 6026	1	C11	1,600 $\mu$ F, Porcelain pot, 5 kV
10C/14962	Type 5050	1	C12	1 $\mu$ F, $\pm 20$ per cent., 600V DC

Stores Ref.	Nomenclature	Qty.	Ref. in fig. 8	Remarks
Condensers—(contd.)				
10C/15926	Type 5293	1	C13	2 $\mu$ F, $\pm 20$ per cent., 600V DC
10C/15241	Type 5207	4	C14-C16, C28	0.5 $\mu$ F, $\pm 20$ per cent., 350V DC
10C/14893	Type 5011	9	C17-C25	8 $\mu$ F, $\pm 20$ per cent., 125V DC
10C/14449	Type 4784	1	C27	2 $\mu$ F, $\pm 20$ per cent., 250V DC
5E/679	Wire, fuse, 10A	1	F1	LT
5E/677	Wire, fuse, 15A	1	F4	Common
5E/676	Wire, fuse, 15A	1	F2	HT
5E/759	Wire, fuse, 5A	1	F3	Fan
10C/14709	Inductance, Type 1194	1	L2	Anode choke, 650 mA
5A/3450	Holder, fuse, 15 amp.	4		
5A/3451	Fuse carrier	1		
10H/18789	Holder, valve, Type 348	4		American 7-pin. Clip sockets on ceramic base
10H/1049	Jack, Type 17	1	J1	Midget, 2-contact
5L/2	Lamps, filament, 260V, 15W, Type A	3	SL1-SL3	
10AB/8	Lampholders, Type 25	3		Panel mounting
	Include—			
10AB/12	Lampholder, Type 24	1		Bayonet, screwed base
10AB/10	Adaptor, Type 23	1		
5Q/1504	Milliammeter, MC 10-100	1	M1	2½-in. dial, flush mounting
5Q/3091	Milliammeter, MC, 0-300	1	M3	2½-in. dial, flush mounting
5Q/3092	Milliammeter, MC, 0-500	1	M4	2½-in. dial, flush mounting
10D/2604	Multiplier unit	1		See below See below
10V/600	Oscillator unit, Type 180	1		
10H/4048	Plug, Type 563	2		12-pole
10H/ZA.26518	Plug, 2-pole, No.38	1	G1 G2	2-pole
10D/17351	Rectifier, metal, Type 269	1	W1	Selenium bridge. Tone rectifier
10D/17352	Rectifier, metal, Type 270	1	W2	Selenium bridge. Bias rectifier
10F/16632	Relay, magnetic, Type 1123	1	A4	R/T relay, 50V AC ; 2 makes 6 mm. silver ; 2 changeovers, 6 mm. silver
Resistors—				
10W/10080	Type 361	1	R1	4,000 ohms, $\pm 5$ per cent., 15 watt, vitreous rod
10W/17415	Type 5871	1	R2	20,000 ohms, $\pm 5$ per cent., 15 watt, vitreous rod
10W/17414	Type 5870	1	R3	2,500 ohms, $\pm 5$ per cent., 15 watt, vitreous rod
10W/16311	Type 4927	1	R4	7,500 ohms, $\pm 5$ per cent., 15 watt, vitreous rod
10W/8226	Type 8226	1	R5	1,000 ohms, $\pm 20$ per cent., $\frac{3}{4}$ watt, carbon rod
10W/8755	Type 2205	2	R6 R8.	470 ohms, $\pm 20$ per cent., 1 watt, carbon rod
10W/8756	Type 2206	1	R7	2,200 ohms, $\pm 20$ per cent., 1 watt, carbon rod

Stores Ref.	Nomenclature	Qty.	Ref. in fig. 8	Remarks
	Resistors—(contd.)			
10W/9896	Type 3036	1	R13	330 ohms, $\pm 20$ per cent., $2\frac{1}{2}$ watt, vitreous rod
10W/16987	Type 5496	1	R9	220 ohms, $\pm 5$ per cent., 5 watt vitreous rod
10W/17096	Type 5553	1	R12	330 ohms, $\pm 5$ per cent., 5 watt, vitreous rod
10W/9910	Type 3074	2	R10 R11	1,000 ohms, $\pm 20$ per cent., $2\frac{1}{2}$ watt, carbon rod
10W/17420	Type 5876	2	R14 R15	100 ohms, wire-wound potentiometer. Modulator bias adjustment
10W/17416	Type 5872	1	L1	90 ohms, vitreous rod. Used as RF choke
10AS/83	Retainers, valve, Type 299	4		Spun glass harness with retaining springs for valves CV26
10F/11062	Switches, Type 157	2	S1 S4	Push-button plunger
10F/16618	Switch, Type 1710	1	S3	Coupling switch
10F/16617	Switch, Type 1709	1	S2	Range switch
10F/106857	Switches, Type 267	4	S5-S7 S9	Single-pole ON/OFF
10F/26	Switch, Type 189	1	S8	Safety switch
10F/16619	Switch, Type 1711	1	S10	3-pole, 3-position, break before make, 2-wafer
10H/160	Socket, Type 486	1		Single-pole. Output socket
10H/4010	Sockets, Type 526	4		12-pole, Jones
10K/16296	Transformer unit, Type 118	1		
	Includes—			
10K/16297	Transformer, Type 2221	1	T1	Modulation transformer
10AD/34	Contactors, Type 66	2	CT1 CT2	CW and R/T 50V AC
10K/16476	Transformer, Type 2467	1	T2	RF filaments and bias supplies
10K/16299	Transformer, Type 2223	1	T3	Modulator filaments and contactor operation
10CV/26	Valves, Type CV26	4	V1-V4	
5Q/12521	Voltmeter, MC, 0-300V AC	1	M5	$2\frac{1}{2}$ in. dial
10A/11836	Knobs, Type 8	2		Bar type moulded
10AF/47	Guards, meter	5		Steel plate with grille, for $2\frac{1}{2}$ in. instrument
10U/239	<b>Amplifying unit, Type 367</b>		<i>Ref. in fig. 13</i>	Tone and modulation amplifier
	Principal components—			
	Condensers—			
10C/14889	Type 5008	3	C302 C314 C316	$1 \mu\text{F}$ , $\pm 20$ per cent., 250V DC
10C/14449	Type 4784	1	C300	$2 \mu\text{F}$ , $\pm 20$ per cent., 250V DC
10C/15079	Type 5099	3	C303 C304 C309	$0.1 \mu\text{F}$ , $\pm 20$ per cent., 350V DC
10C/14998	Type 5069	1	C305	$4 \mu\text{F}$ , $\pm 20$ per cent., 250V DC
10C/14654	Type 4898	3	C301 C306 C312	$50 \mu\text{F}$ , $\pm 20$ per cent., 12V electrolytic
10C/15159	Type 5157	1	C307	$220 \mu\text{F}$ , $\pm 10$ per cent., 350V DC
10C/15082	Type 5102	1	C308	$0.25 \mu\text{F}$ , $\pm 20$ per cent., 350V
10C/14630	Type 4892	1	C310	$2 \mu\text{F}$ , $\pm 20$ per cent., 400V DC
10C/15100	Type 5113	1	C311	$470 \mu\text{F}$ , $\pm 10$ per cent., 350V

Stores Ref.	Nomenclature	Qty.	Ref. in fig. 13	Remarks
Condensers—(contd.)				
10C /16224	Type 5455	1	C313	.0027 $\mu$ F, $\pm 10$ per cent., 350V
10C /14302	Type 4715	1	C315	25 $\mu$ F, 25V, electrolytic
10HA /4768	Connectors, valve, Type 42	2		Bead-insulated conductor, and cap 10A /12351, 7½ in. long
10H /3248	Holders, valve, Type 240	2		5-pin, American
10H /ZC2641	Holders, valve	3		International octal
10H /493	Holders, valve, Type 73	2		International octal
10H /4048	Plugs, Type 563	2		12-pole
10D /17411	Rectifiers, metal, Type 277	2	W.300 W.301	Selenium
10F /2861	Relays, magnetic, Type 1047	2	$\frac{D}{I} \frac{E}{I}$	P.O. 3,000 type, 1,000 ohms coil, 24V AC
10F /2822	Relay, magnetic, Type 1022	1	$\frac{F}{2}$	P.O. 3,000 type, 2,000 ohms coil, 48-50V AC
10A /13234	Retainers, valve, Type 24	2		Paxolin yoke, with spring anchors
Resistors—				
10W /6086	Type 6086	2	R300 R312	33,000 ohms, $\pm 20$ per cent., $\frac{1}{2}$ watt
10W /6083	Type 6083	2	R301 R313	1,000 ohms, $\pm 20$ per cent., $\frac{1}{2}$ watt
10W /6840	Type 6840	2	R302 R303	0.1M, $\pm 20$ per cent., $\frac{1}{2}$ watt
10W /6079	Type 6079	1	R304	10,000 ohms, $\pm 20$ per cent., $\frac{1}{2}$ watt
10W /6320	Type 6320	2	R305 R306	470,000 ohms, $\pm 20$ per cent., $\frac{1}{2}$ watt
10W /6080	Type 6080	1	R307	220 ohms, $\pm 20$ per cent., $\frac{1}{2}$ watt
10W /1106	Type 1106	1	R308	560 ohms, $\pm 10$ per cent., $\frac{1}{2}$ watt
10W /8424	Type 8424	2	R314	15,000 ohms, $\pm 20$ per cent., $\frac{1}{2}$ watt
10W /1847	Type 1847	1	R310	2,200 ohms, $\pm 20$ per cent., $\frac{1}{2}$ watt
10W /10965	Type 3680	1	R311	0.15M, $\pm 5$ per cent., $\frac{1}{2}$ watt
10W /6081	Type 6081	2	R315 R316	47,000 ohms, $\pm 20$ per cent., $\frac{1}{2}$ watt
10W /8160	Type 8160	1	R317	4,700 ohms, $\pm 20$ per cent., 1 watt
10W /9640	Type 2875	2	R321 R324	150 ohms, $\pm 20$ per cent., $\frac{1}{2}$ watt
10W /1954	Type 1954	2	R322 R323	100 ohms, $\pm 20$ per cent., $\frac{1}{2}$ watt
10W /1614	Type 1614	1	R309	22,000 ohms, $\pm 10$ per cent.,
10W /10839	Type 3605	1	R318	15,000 ohms, $\pm 15$ per cent., 5 watt
10W /8757	Type 2207	1	R319	220 ohms, $\pm 20$ per cent., 2 watt
10W /17422	Type 5878	1	R320	8,200 ohms, $\pm 5$ per cent., 15 watt
10W /17536	Type 5991	1	R325	Potentiometer, 25,000 ohms
10W /8654	Type 2152	1	R326	Potentiometer, 100,000 ohms
10AL /25	Screen, Type 210	3		Valve screen
10F /16636	Switch, Type 1716	1	S300	3-pole, 3-position
10K /16314	Transformer, Type 2234	1	T300	Input

Stores Ref.	Nomenclature	Qty.	Ref. in fig. 13	Remarks
10K/11888	Transformer, Type 96	2	T301 T302	Intervalve
10K/16315	Transformer, Type 2235	1	T303	
10CV/1932	Valves, Type CV1932	2	V300 V304	
10CV/1054	Valves, Type CV1054	2	V301 V302	
10CV/1941	Valve, Type CV1941	1	V303	
10CV/124	Valves, Type CV124	2	V305 V306	
10V/600	<b>Oscillator unit, Type 180</b>		<i>Ref. in fig. 2</i>	Master oscillator chassis assembly
	Principal components—			
10C/16958	Choke, HF, Type 779	1	L202	1.5 mH
	Condensers—			
10C/15183	Type 5173	2	C205 C207	47 pF, ±10 per cent.
10C/15079	Type 5099	1	C206	.01 μF, ±20 per cent., 350V
10C/11054	Type 3325	1	C208	300 pF, ±10 per cent., 350V
10C/4246	Type 2191	1	C210	.01 μF, ±10 per cent., 750V
10C/15098	Type 5111	4	C211—C213	.01 μF, ±20 per cent., 350V
			C216	
10C/13791	Type 4514	1	C214	100 pF, ±20 per cent., 350V
10C/16959	Type 6040	1	C215	30 pF, ±20 per cent.
			C209	
10C/16960	Type 6041	1	C217	500 pF, ±5 per cent., 250V
10C/3693	Type 1868	2	C218 C219	100 pF, ±5 per cent., 750V
10H/19214	Holder, valve, Type 350	1		For barretter
10H/3248	Holder, valve, Type 240	1		5-pin American
10A/12057	Mountings, anti-vibration, Type 35	4		
10H/4048	Plug, Type 563	1		12-pole
	Resistors—			
10W/753	Type 891	1	R200	4,700 ohms, ±10 per cent., $\frac{3}{4}$ watt
10W/9693	Type 2922	1	R201	680 ohms, ±10 per cent., $\frac{3}{4}$ watt
10W/6414	Type 6414	1	R202	330 ohms, ±10 per cent., $\frac{3}{4}$ watt
10W/1694	Type 1694	1	R203	33,000 ohms, ±10 per cent., $\frac{3}{4}$ watt
10W/8518	Type 2040	1	R204	56,000 ohms, ±10 per cent., $\frac{3}{4}$ watt
10W/9694	Type 2923	1	R205	750 ohms, ±5 per cent., $\frac{3}{4}$ watt
10W/1954	Type 1954	1	R206	100 ohms, ±20 per cent., $\frac{3}{4}$ watt
10W/6840	Type 6840	1	R207	100,000 ohms, ±20 per cent., $\frac{3}{4}$ watt
10W/1841	Type 1841	1	R208	39 ohms, ±10 per cent., $\frac{3}{4}$ watt
10W/17537	Type 5992	1	VR200	Potentiometer, 300 ohms
10W/1827	Type 1827	1	R209	47 ohms, ±10 per cent., $\frac{3}{4}$ watt
10F/1824	Relay, magnetic, Type 681	1	B	Keying relay, 200 ohms
10AB/3569	Retainer, valve, Type 131	1		Spun glass harness with two retaining springs
10W/17655	Thermistor (1 amp), Type 1	1		
10CV/124	Valve, Type CV124	1	V201	
10CV/2734	Valve, Type CV2734	1	V202	Barretter



Stores Ref.	Nomenclature	Qty.	Ref. in fig. 5	Remarks
10D /2604	<b>Multiplier unit</b>			Frequency multiplier and bias control chassis assembly.
10C /16958	Principal components— Choke, HF, Type 779	2	L400 L404	1.5 mH
	Condensers—			
10C /15098	Type 5111	4	C400—C403	.01 $\mu$ F, $\pm 20$ per cent., 350V, DC
10C /4246	Type 2191	2	C404 C409	.01 $\mu$ F, $\pm 10$ per cent., 750V, DC
10C /17502	Type 6062	1	C405	40 $\mu$ F, $\pm 10$ per cent., 250V, DC
10C /17000	Type 6060	1	C406	300 $\mu$ F, $\pm 5$ per cent., 750V
10C /16998	Type 6058	1	C407	40 $\mu$ F, $\pm 5$ per cent., 750V DC
10C /16999	Type 6059	1	C408	100 $\mu$ F, $\pm 5$ per cent., 750V, DC
10C /17501	Type 6061	1	C410	600 $\mu$ F, $\pm 5$ per cent., 750V, DC
10C /14893	Type 5011	9	C411—C419	8 $\mu$ F, 125V, DC, electrolytic
10D /17352	Rectifier, metal, Type 270	1	W400	Bias rectifier
10F /16667	Switch, Type 1728	1	S400	5-position, 3 ceramic wafers
	Resistors—			
10W /9669	Type 2901	1	R400	47,000 ohms, $\pm 20$ per cent., 2 watt
10W /1954	Type 1954	1	R401	100 ohms, $\pm 20$ per cent., $\frac{1}{2}$ watt
10W /9141	Type 2493	1	R402	100 ohms, $\pm 20$ per cent., 1 watt
10W /17535	Type 5990	2	R403 R406	11,000 ohms, $\pm 5$ per cent., 12 watt, vitreous
10W /17059	Type 5517	1	R404	7,500 ohms, 5 watt
10W /15099	Type 3808	1	R405	3,900 ohms, 5 watt
10W /9922	Type 3086	1	R407	4,700 ohms, $\pm 20$ per cent., 3 watt
10W /17096	Type 5553	1	R408	330 ohms, 5 watt
10W /17095	Type 5552	1	R409	150 ohms, 5 watt
10W /16987	Type 5496	1	R410	220 ohms, 5 watt
10W /9950	Type 3106	2	R411 R412	100,000 ohms, $\pm 20$ per cent., $2\frac{1}{2}$ watt
10W /9944	Type 3100	2	R413 R414	47,000 ohms, $\pm 20$ per cent., $2\frac{1}{2}$ watt
10CV /124	Valve, Type CV124	1	V400	
10A /12351	Valve clip, Type 2	1		
10H /3248	Holder, valve, Type 240	1		5-pin American
10K /2154	<b>Fan assemblies, Type 2</b>			
	Consisting of—			
10A /11206	Mounting, anti-vibration, Type 11	4		Load 4 lb.
10K /16334	Inserts, filter	1		$5\frac{7}{8}$ in. square by 1 in.
10K /16332	Fan, Type 52	1		200-230V, AC, 200 watts, fitted with suppressor condensers

Stores Ref.	Nomenclature	Qty.	Ref. in fig. 5	Remarks
	Including—			
10K/16333	Brushes, carbon	2		
	Accessories—			
10A/19094	Frame, mounting, Type 49	1		Steel frame with 6 shock- absorbing mountings
10HA/4699	Connector, Type 3107	1		Cleated cableform assembly on steel bar
	Including—			
10H/4048	Plug, Type 563	1		12-pole
10H/4053	Socket, Type 531	1		12-pole
10A/14855	Cover, Type 250	1		For 10H/4048
10A/14850	Cover, Type 245	1		For 10H/4053
10H/Z.A. 26517	Sockets, 2-pole, moulded, No. 44	2		
10HA/4700	Connector, Type 3108	1		Assembly on cableform
	Including—			
10H/4053	Sockets, Type 531	2		12-pole
10A/14855	Covers, Type 250	1		For 10H/4053
10AC/16	Eyebolts, Type 41	4		For hoisting transmitter
10D/17274	Bolts, transit	4		For locking runners
10D/17618	Case, transit (Non- tropical)	1		For transmitter, Type T.1509 and mounting, Type 49, com- plete with valve carton and pack-up spares case
	Includes—			
10D/17658	Case, transit	1		For T.1509 without valve car- ton and pack-up spares case
10D/17619	Carton, valves	1		Valve container in which cer- tain valves are stowed during transit
10D/17620	Case, transit	1		For pack-up spares for T.1509
	Containing—			
10K/16334	Insert, filter	2		
10K/16333	Brush, carbon	6		
10H/9613	Fuse, Type 5	30		
10CV/187	Valve, Type CV187	4		
10CV/45	Valve, Type CV45	4		
10CV/235	Valve, Type CV235	2		
10CV/1932	Valve, Type CV1932	2		
10CV/1054	Valve, Type CV1054	2		
10CV/1941	Valve, Type CV1941	1		
10CV/124	Valve, Type CV124	4		
10CV/26	Valve, Type CV26	4		
10CV/2734	Valve, Type CV2734	4		
5L/2	Lamp, filament, Type A	3		260 volts, 15 watts
10F/1824	Relay, magnetic, Type 681	1		
	Fuse wire	2		Formers, each wound with 30 feet of wire, Stores Ref. 5E/759

Stores Ref.	Nomenclature	Qty.	Ref. in fig. 17	Remarks
	Connectors—			
10HA/4880	Type 3203	1		Mains connector, includes socket, Type 237 (Stores Ref. 10H/1094)
10HA/4881	Type 3204	1		Receiver connection, includes socket (1), Type M (Stores Ref. 5X/766), Pin socket (6) (Stores Ref. 5X/846) and cable, Septovin (Stores Ref. 5E/2115)
10HA/4882	Type 3205	1		Battery connection, includes socket, Type 269 (1) (Stores Ref. 10H/1262) and cable, Duvin 4 (Stores Ref. 5E/2108)
	Fuses—			
10H/107	Type 23	4		250mA
10H/9613	Type 5	5		1 ampere
10H/2169	Holder, fuse, Type 45	3		Panel mounting, including 1 carrier fuse, Type 7 (Stores Ref. 10H/14542)
10H/493	Holder, valve, Type 73	4		International octal
10F/744	Handles, G.P.O. Key	2		No. 1 Black
10H/1739	Jacks, Type 1	5		Telephone, single circuit
10A/14604	Bushes, Type 56	5		
10H/461	Jacks, lamp, Type 2	3		Tropical finish
10A/14181	Knobs, Type 131	1		
5L/1702	Lamps, P.O. No. 2	3		24 Volts, 2.4 watts, jack type
10A/10256	Mounting, Type 15	2		
10AE/194	Panel and clip assembly	1		Spare fuse panel
10D/17585	Panel, Type 575	1		Fitted with 9 sockets, Type 98 (Stores Ref. 10H/209)
	Plugs—			
5X/762	Type M6	1		
10H/1095	Type 292	1		3-pole
10H/1261	Type 316	1		2-pole
10AE/133	Plug link	2		Voltage changing
5X/845	Pins plug, Type M	6		
	Relay magnetic—			
10F/2807	Type 1011	1	A	P.O. K.3000 200 + 200 ohms
			4	4 changeover contacts
10FB/1391	Type 995	1	B	P.O. K.3000 500 + 500 ohms
			2	2 changeover contacts
	Rectifiers, metal—			
10D/17586	Type 284	1	W1	
10D/17587	Type 285	1	W2	
	Resistors—			
10W/6926	Type 6926	1	R3	33 ohms $\pm 20$ per cent.
10W/1954	Type 1954	1	R5	100 ohms $\pm 20$ per cent.
10W/6082	Type 6082	2	R6, R7	330 ohms $\pm 20$ per cent.
10W/6840	Type 6840	1	R1	100,000 ohms $\pm 20$ per cent.
10W/8426	Type 8426	1	R4	1,500 ohms $\pm 20$ per cent.
10W/15496	Type 4205	1	R2	Potentiometer, 25,000 ohms
	Switches—			
10FB/486	Type 913	1		G.P.O. lever key, 2 changeovers
10F/10255	Type 145	1		G.P.O. lever key, 4 changeovers
10F/1211	Type 975	1		2-pole changeover, 3 amperes

Stores Ref.	Nomenclature	Qty.	Ref. in fig. 17	Remarks
10F/16711	Switch unit, Type 313	1		3-pole 3-way wafer switch assembled with and operated with switch, Type 152 (Stores Ref. 10F/10338). Switch unit also includes switch, Type 1761 (Stores Ref. 10F/16712)
	Tagboards—			
10AE/195	Type 762	1		With 3 wiring tags
10AE/196	Type 763	1		With 7 wiring tags
	Transformers—			
10K/16410	Type 2364	1	T1	Iron-cored mains, transformer, in metal case
10K/16411	Type 2365	1	T2	Iron-cored oscillator transformer in metal case
10K/16412	Type 2366	1	T3	Iron-cored microphone transformer in metal case
10K/16413	Type 2367	1	T4	Iron-cored intervalve transformer in metal case
10K/16414	Type 2368	1	T5	Iron-cored output transformer in metal case
10H/7227	Terminals, 4BA, Type C	2		Plain, 1½ in. shank
10CV/1932	Valve, Type CV1932	4	V1 to V4	
10AT/19	Window, Type 112	1		
10AJ/14	Mounting, Type 835	1		Mounting tray. Only required when control unit is mounted in a vehicle. Four mountings, anti-vibration, Type 10 (Stores Ref. 10A/11205), are included