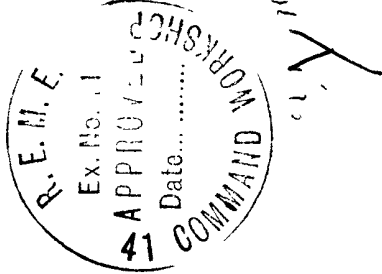


R.28.  
W.O.  
CODE No.  
12671

26  
Publications  
9028



**RESTRICTED**  
The information given in this document is not to be communicated, either directly or indirectly, to the press or to any person not authorized to receive it.

# ILLUSTRATED SPARE PARTS LIST for REFORMING UNIT, ELECTROLYTIC CAPACITOR, No.1. EQUIPMENT

CATALOGUE NUMBER Z4/6625-99-949-0042

CLASS 6625

BY COMMAND OF THE ARMY COUNCIL

THE WAR OFFICE

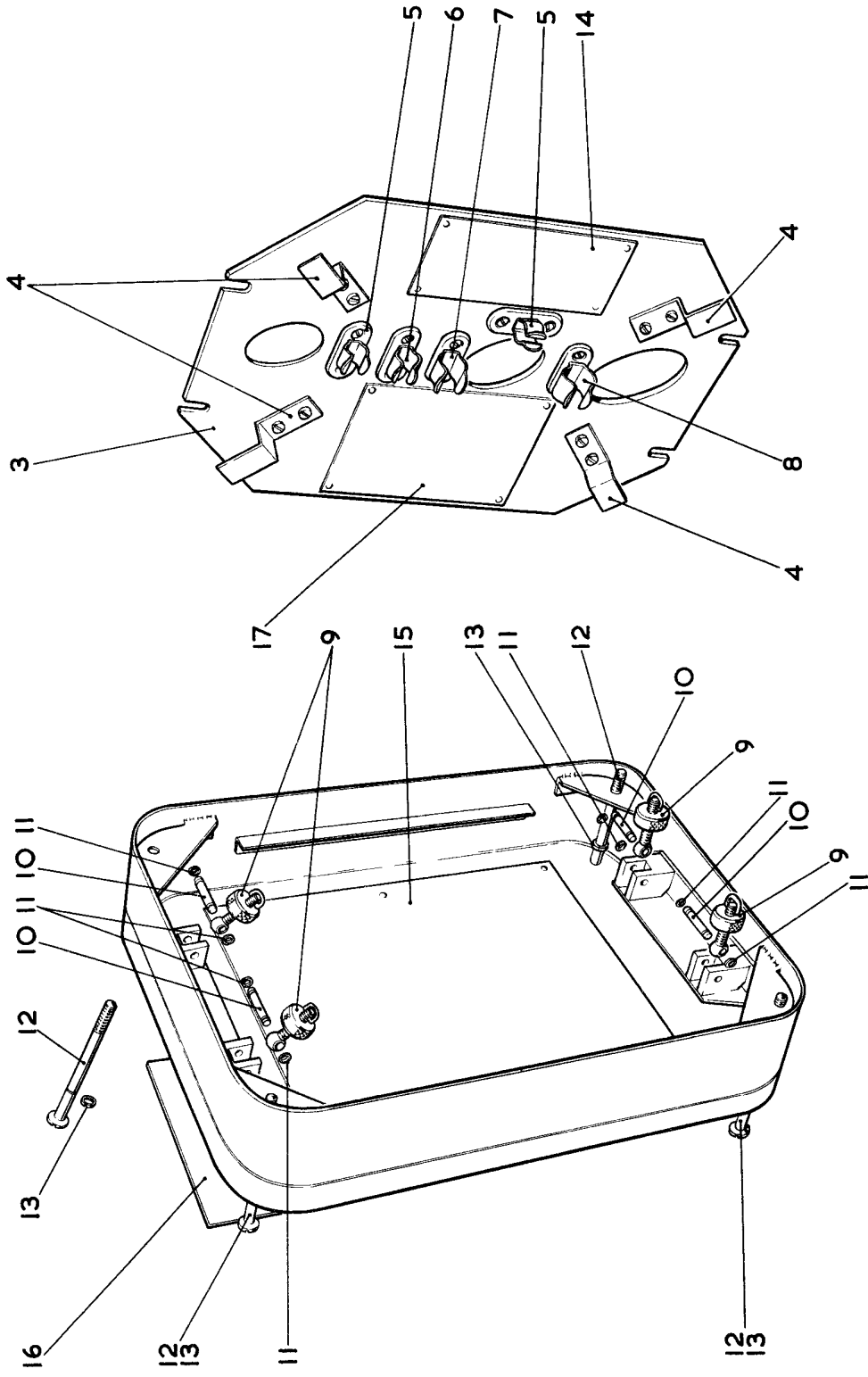
MAY 1960



ABBREVIATIONS

A.C.	alternating current	lg	length
A	ampere(s)	mA	milli ampere(s)
&	and	mm	milli metre(s)
BA	British Association Screw Thread	uF	micro farad
contd	continued	M.S.	mild steel
c/w	complete with	mtg	mounting
c/s	cycles per second	no.	number
dia	diameter	ohm	ohm
D.C.	direct current	o.d.	outside diameter
en.	enamelled	o/a	overall
ext.	external	rect.	rectangular
ft	foot(feet)	S.R.B.P.	synthetic resin bonded paper
F.S.D.	full scale deflection	thd	thread
in.	inch(es)	t.p.i.	threads per inch
i.d.	inside diameter	UNS	unified special
k ohm	kilo ohm(s)	V	volt(s)
		W	watt(s)

A

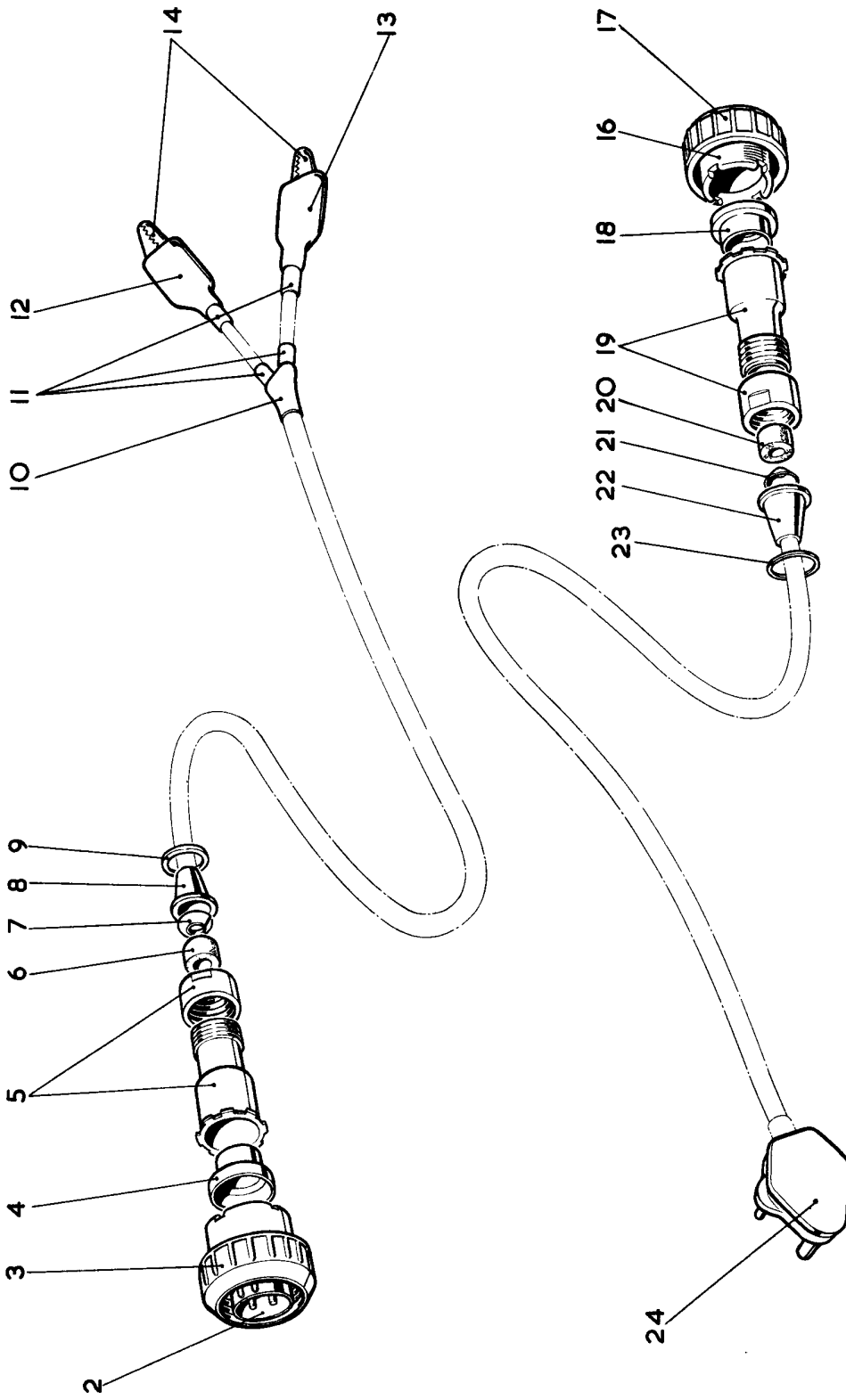


COVER, ELECTROLYTIC CAPACITOR REFORMING UNIT

REFORMING UNIT, ELECTROLYTIC CAPACITOR, NO.1 EQUIPMENT.

ITEM N°	CATALOGUE NUMBER	ITEM NAME OR DESIGNATION	ITEM DESCRIPTION	N° OFF	PLATE REF.	SCHEMATIC REF.	DRAWING N°	REMARKS
1	Z4/6625-99-949-0042	REFORMING UNIT, ELECTROLYTIC CAPACITOR, NO.1 EQUIPMENT	M.S; cadmium plated; 12in. by 8.3/4in. by 21.51/64in; c/w mtg plate & spring clips	1	A		SD/D174422	
2	Z4/6625-99-949-0007	COVER, ELECTROLYTIC CAPACITOR REFORMING UNIT					SD/C174367	
3		TEST PLATE	steel; 3/8in. grip; 1/2in. strip;	1	A3		SD/C174398	
4		BRACKET, CABLE	c/w mtg plate	4	A4		SD/A174401	
5	Z1/5340-99-949-0045	CLIP, SPRING TENSION	steel; 5/8in. grip; 1/2in. strip;	2	A5		SD/A174408/1	
6	Z1/5340-99-949-0048	CLIP, SPRING TENSION	c/w mtg plate	1	A6		SD/A174408/3	
7	Z1/5340-99-949-0047	CLIP, SPRING TENSION	steel; 3/4in. grip; 1/2in. strip; mounted on plate	1	A7		SD/A174408/4	
8	Z1/5340-99-949-0046	CLIP, SPRING TENSION	steel; 1in. grip; 1/2in. strip;	1	A8		SD/A174408/6	
9		SHACKLE, CASE FASTENING	c/w mtg plate	4	A9		SD/A174423	
10		PIN		4	A10		SD/A174402	
11	LV6/MT1/5340-99-942-4321	RING, RETAINING	steel; ext. 1/8in. shaft dia	8	A11		SD/A174592	
12		SPECIAL SCREW		4	A12		SD/A174403	
13		CIRCLIP, EXTREMAL TYPE		4	A13		SD/A174412	
14		LABEL, CURRENT VALUE		1	A14		SD/A174404	
15		LABEL, INSTRUCTION		1	A15		SD/A174406	
16		NAMEPLATE		1	A16		SD/A174407	
17		LABEL, CURRENT VALUE L. V.		1	A17		SD/A174405	

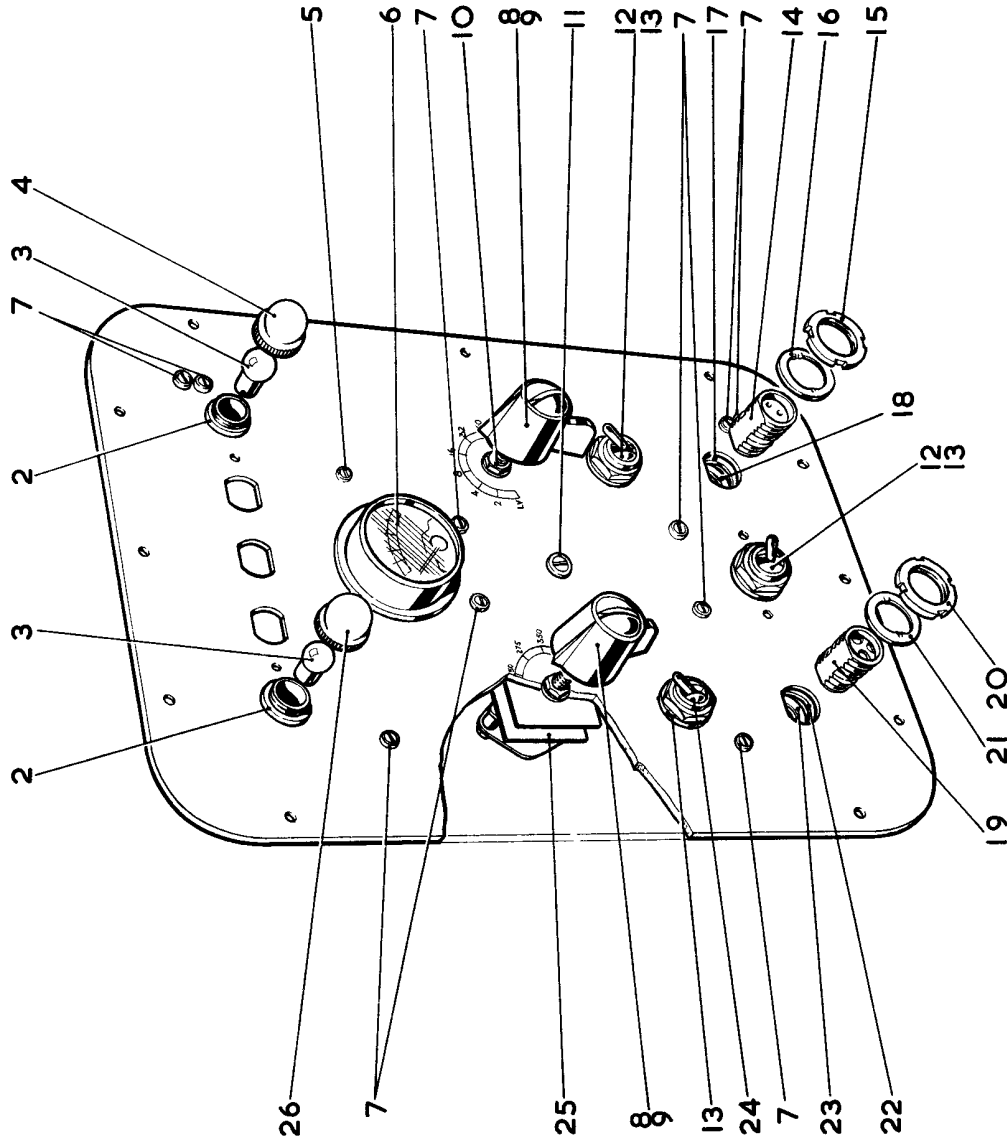
**B**



CONNECTOR, TWIN, No. 411, 3FT  
CONNECTOR, 3 POINT, No. 102, 9FT

ITEM N°	CATALOGUE NUMBER	ITEM NAME OR DESIGNATION	ITEM DESCRIPTION	N° OFF	PLATE REF.	SCHEMATIC REF.	DRAWING N°	REMARKS
1	Z4/6625-99-949-0006	REFORMING UNIT, ELECTROLYTIC CAPACITOR, NO.1						
2	Z1/5935-99-056-0270	EQUIPMENT (cont'd) CONNECTOR, TWIN, No.411, 3FT PLUG, ELECTRICAL	M4; free, male shell; size 1/0; 2 pole; style 44FWL/2/0	1	B		SD/B174421	
3	Z1/5935-99-097-0215	NUT, COUPLING	M4; size 1	1	B2		DEF 5321	
4	Z1/5935-99-097-0058	GASKET, OUTLET	M4; size 1	1	B3		WFD114100	
5	Z1/5935-99-097-0061	OUTLET ASSEMBLY	M4; straight; size 1	1	B4		RCL/321	
6	Z1/5340-99-097-0114	SLEEVE, CABLE	M4; size 1	1	B5		RCL/321	
7	Z1/5340-99-097-0101	RING, COMPRESSION	M4; size 1	1	B6		DEF5321	
8	Z1/5330-99-097-0107	GASKET UNION	M4; size 1	1	B7		DEF5321	
9	Z1/5935-99-097-0095	RING, THRUST	M4; size 1	1	B8		DEF5321	
10	Y3/5975-99-910-7067	SLEEVE, CABLE BINDING	type A; 5mm i.d. by 1in; pink	1	B9		DEF5321	
11	Y3/5975-99-910-7066	SLEEVE, CABLE BINDING	type A; 3mm i.d. by 1in; pink	4	B10		DEF20	
12		SLEEVE, HELVIN, EXTRA LONG, RED	crocodile; fine wire grip; non-insulated; 1.5/8in. long	1	B11			
13		SLEEVE, HELVIN, EXTRA LONG, BLACK		1	B12			
14	Y3/5940-99-940-3456	CLIP, ELECTRICAL		2	B13		IT/A169018	
15	Z4/5995-99-940-0491	CONNECTOR, 3 POINT, No.102, 9FT		1	B			
16	Z1/5935-99-056-0505	SOCKET, ELECTRICAL	M4; free, male shell; size 1/5; 3 pole; style 54FWL/3/5	1	B16		IT/B134891/1	
17	Z1/5935-99-097-0215	NUT, COUPLING	M4; size 1	1	B17		WFD114100	
18	Z1/5935-99-097-0058	GASKET, OUTLET	M4; size 1	1	B18		RCL/321	
19	Z1/5935-99-097-0062	OUTLET ASSEMBLY	M4; straight; size 1A	1	B19		RCL/321	
20	Z1/5340-99-097-0114	SLEEVE, CABLE	M4; size 1	1	B20		DEF5321	
21	Z1/5340-99-097-0102	RING, COMPRESSION	M4; size 1A	1	B21		DEF5321	
22	Z1/5330-99-097-0108	GASKET, UNION	M4; size 1A	1	B22		DEF5321	
23	Z1/5935-99-097-0096	RING, THRUST	M4; size 1A	1	B23		DEF5321	
24	X2/5935-99-940-0023	PLUG, ELECTRICAL	domestic type; free; angle entry; 3 poles	1	B24		IT/A38889	

C



REFORMING UNIT ELECTROLYTIC CAPACITOR No.1

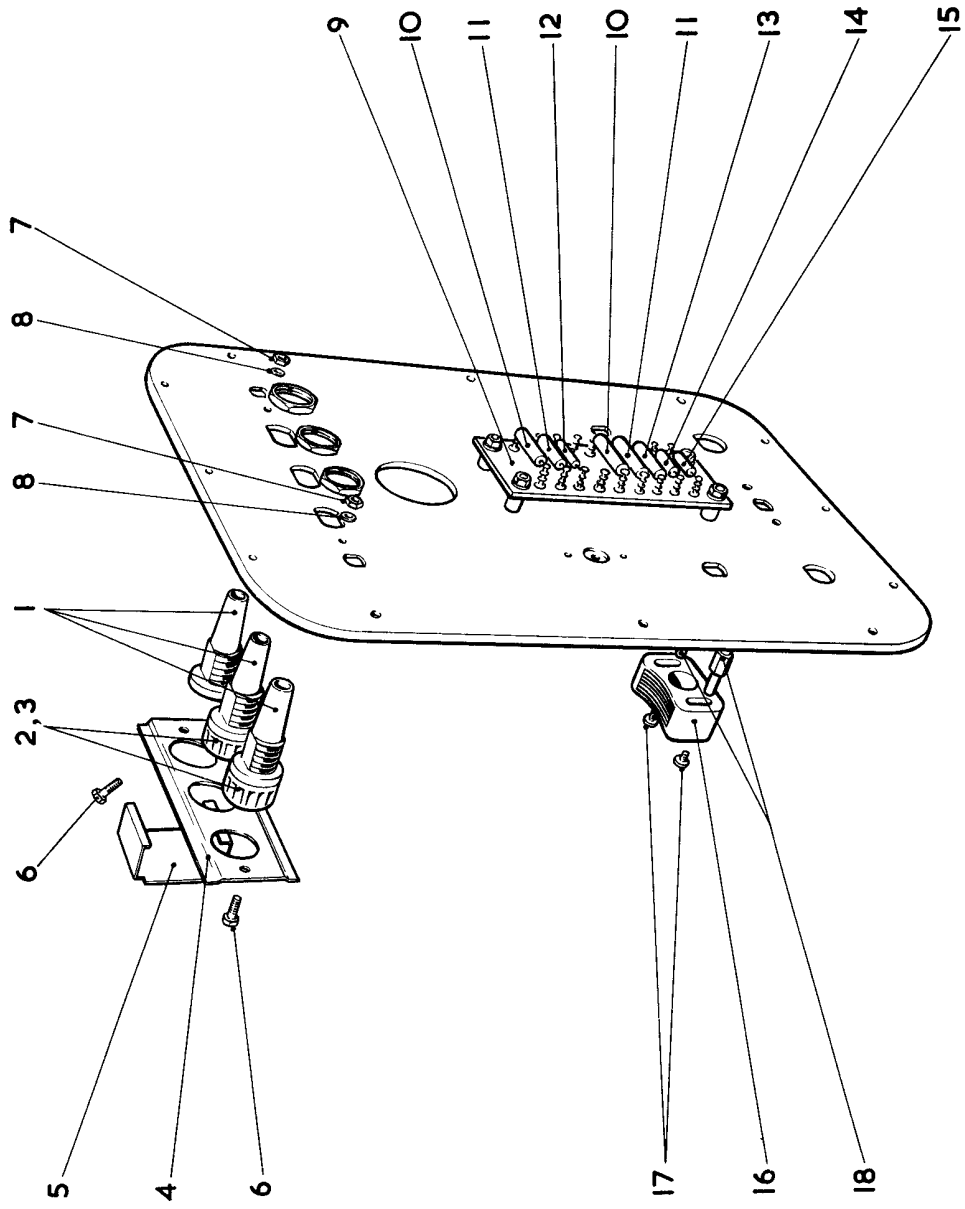
RESTRICTED

E.I.D. 83977 VI 3



ITEM No	CATALOGUE NUMBER	ITEM NAME OR DESIGNATION	ITEM DESCRIPTION	No OFF	PLATE REF.	SCHEMATIC REF.	DRAWING No	REMARKS
1	Z4/6625-99-949-0041	REFORMING UNIT, ELECTROLYTIC CAPACITOR, NO.1 EQUIPMENT (contd)	thd bushing mtg, midget flange base; 0.510in. by 0.450in. to 0.445in. mtg hole	1	C		SD/D174363	
2	Z1/6210-99-942-9576	REFORMING UNIT, ELECTROLYTIC CAPACITOR, NO.1 LIGHT, INDICATOR	0.510in. by 0.450in. to 0.445in. mtg hole	2	C2		SD/B174001/2	
3	X2/6240-99-995-9119	LAMP, ELECTRIC FILAMENT	6V; 0.1A; midget flange, clear	2	C3	ILF1 & 2	EL2626Z	
4	Z1/6210-99-943-7189	LENS, INDICATOR LIGHT	plastic; green; Thorn Electrical Industries Ltd, MPL20/6	1	C4		sheet 108 SD/B174003/8	
5	Z1/5330-99-943-3484	SEAL, BOLT	i.d. by 0.250in. o.d.	1	C5		AGS1186 Mk1	
6	Z4/6625-99-949-0025	METER, ARBITRARY SCALE	metal case, 1.1/2in. by 26 t.p.i. dia; flush; 1mA F.S.D; scaled 0-10	1	C6	MI	SD/B174390/1	
7	Z1/5330-99-943-3483	SEAL, BOLT	synthetic rubber; steel; 0.16in. i.d. by 0.286in. o.d.	10	C7		AGS1186 Mk2	
8	Z1/5355-99-942-8667	KNOB	finger; adjustable; conical, with beak & tail; in dia; plastic; black	2	C8		SD/A155967	
9	Z1/5355-99-942-8697	INSERT, KNOB	collet type, adjustable, unsupported; 1/4in. bore	2	C9		Book 10112	
10	Z1/5930-99-949-0044	SWITCH, ROTARY WAFER	2 pole, 8 way; shorting, 2 wafer laminated	1	C10	SB	SD/B174388	
11	LV6/MPL/5330-99-942-9636	RING, SEALING	bonded washer for 2BA; steel & synthetic rubber; .200/.210in. i.d. by .325/.335in. o.d. by .008/.015in.	1	C11		AGS1186 Mk3	
12	Z1/5930-99-051-0555	SWITCH, LEVER OPERATED	2 pole; change-over; biased; quick make, quick break; 3A; 250V A.C./D.C.	2	C12	SE & SD	DEF5151	
13	Z1/5330-99-097-1004	WASHER, SEALING, RUBBER	19/32in. i.d. by 3/4in. o.d. by 5/64in.	3	C13		RCL/224	
14	Z1/5935-99-056-0230	SOCKET, ELECTRICAL	M4; fixed, female shell; size 1/0; 2 pole; style S4XFL/2/0	1	C14	SKTA	DEF5321	
15	Z1/5935-99-097-0124	RING, LOCKING	M4; size 1	1	C15		DEF5321	
16	Z1/5935-99-097-0121	WASHER, LOCKING	M4; size 1	1	C16		DEF5321	
17	Z1/5330-99-097-0209	GASKET	panel mtg; M4; size 1	1	C17		RCL224	
18	Z1/5935-99-097-0212	RING, PANEL MOUNTING	M4; size 1	1	C18		WTAL14202	
19	Z1/5935-99-056-0565	PLUG, ELECTRICAL	M4; fixed, female shell; size 1/5; 3 pole; style P4XFL/3/5	1	C19	PLA	DEF5321	
20	Z1/5935-99-097-0124	RING, LOCKING	M4; size 1	1	C20		DEF5321	
21	Z1/5935-99-097-0121	WASHER, LOCKING	M4; size 1	1	C21		DEF5321	
22	Z1/5330-99-097-0209	GASKET	panel mtg; M4; size 1	1	C22		RCL224	
23	Z1/5935-99-097-0212	RING, PANEL MOUNTING	M4; size 1	1	C23		WTAL14202	
24	Z1/5930-99-051-0554	SWITCH, LEVER OPERATED	2 pole; change-over; quick make, quick break; 3A; 250V A.C./D.C.	1	C24	SC	DEF5151	
25	Z1/5930-99-949-0043	SWITCH, ROTARY WAFER	3 pole, 10 way; 2 wafer laminated plastic; 3/4in. dia by 0.590in high; red	1	C25	SA	SD/B174387	
26	Z1/6250-99-949-0526	LENS, PANEL LIGHT		1	C26		SD/B174003/7	

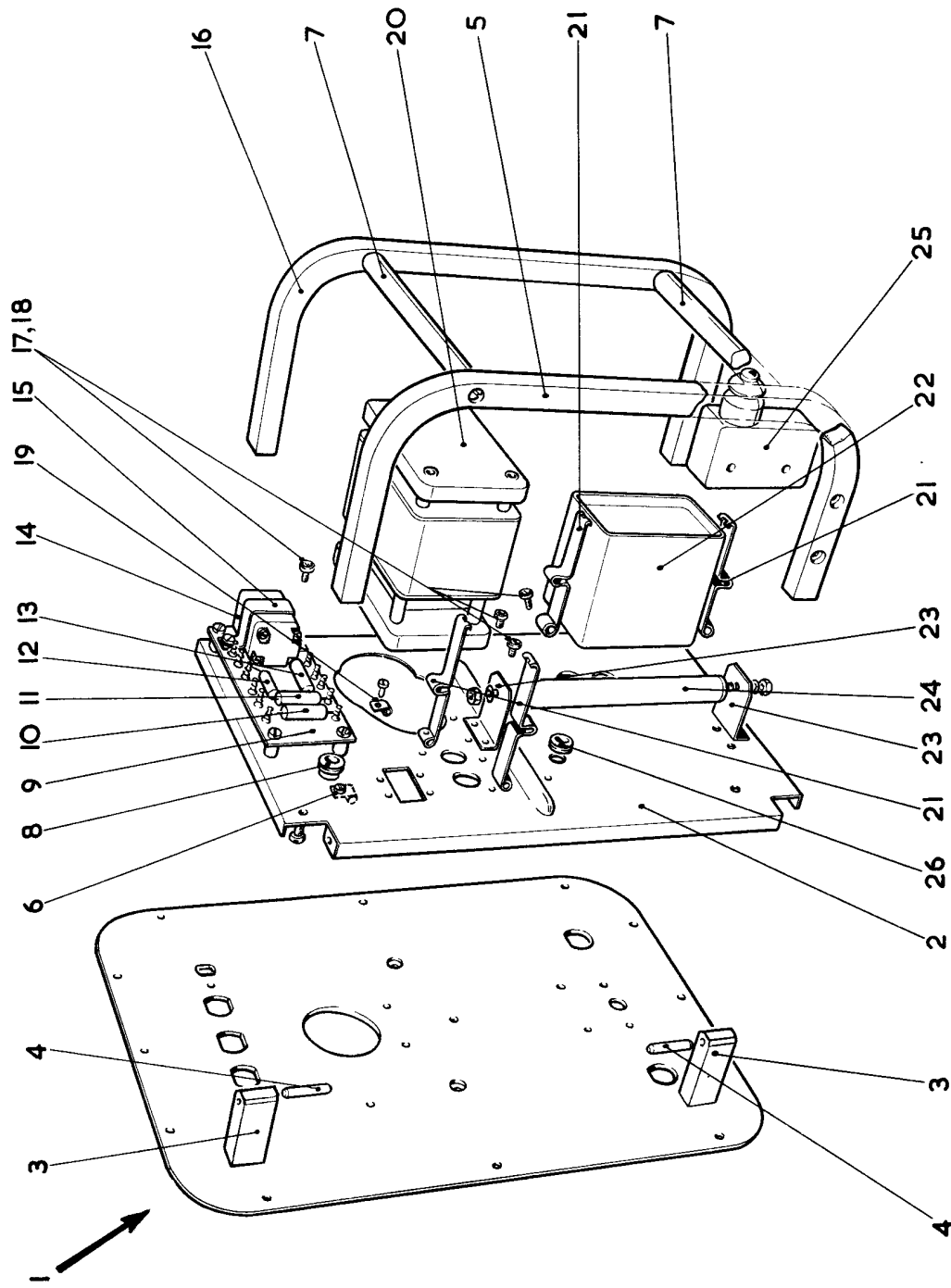
D



REFORMING UNIT, ELECTROLYTIC CAPACITOR, No. 1

ITEM N°	CATALOGUE NUMBER	ITEM NAME OR DESIGNATION	ITEM DESCRIPTION	N° OFF	PLATE REF.	SCHEMATIC REF.	DRAWING N°	REMARKS
1	X2/5920-99-059-1056	REFORMING UNIT, ELECTROLYTIC CAPACITOR, NO.1 EQUIPMENT (cont'd)	protected; single way; 7A; 250V A.C./D.C.	3	D1		RCL/262	
2	X2/5920-99-059-0011	CARRIER, FUSE LINK	cap; single way; 7A; 250V A.C./D.C.	2	D2		RCL/262	
3	X2/5920-99-059-0109	FUSE LINK	cartridge; ceramic; 1A; 440V A.C.	2	D3	FEL & FS3	RCL/261	
4	Z4/5975-99-949-0005	PLATE, MOUNTING	aluminum; 3.11/16in. by 1.656in. by 0.082in.	1	D4		SD/A174415	
5	Z4/5920-99-949-0004	COVER, ACCESS, FUSE UNIT	aluminum; painted grey; 1.736in. by 1in. by 7/16in; open sides, closed ends	1	D5		SD/A174416	
6	Z4/5305-99-949-0046	SCREW, MACHINE	steel; 4BA by 11/32in. filister head; slotted; 0.281in. dia by 0.095 thick	2	D6		SD/A99009 on SD/A98862	
7	Z4/5310-99-949-0001	NUT, PLAIN, CAP	M.S; No.4BA; 0.248in across flats	2	D7		SD/A99011	
8	Z1/5330-99-943-3483	SEAL, BOLT	synthetic rubber; steel; 0.16in. i.d. by 0.286in. o.d.	4	D8		AGS1186 Mk2	
9	Z4/6625-99-949-0497	BOARD, TERMINAL	S.R.B.P; 4.1/4in. by 1.3/4in. by 3/32in; 18 solder studs; special markings	1	D9		SD/A174371 less items 2 to 6 & 8	
10	Z/5905-99-021-6017	RESISTOR, FIXED	composition; grade 1, non-insulated; 13k ohms $\pm$ 5% 1/2W	2	D10	R3, R6	RCL/112	
11	Z/5905-99-021-5327	RESISTOR, FIXED	film; non-insulated; 5.1k ohms $\pm$ 5% 1/2W	2	D11	R4, R7	RCL/112	
12	Z/5905-99-021-5291	RESISTOR, FIXED	composition; grade 1, non-insulated; 2.7k ohms $\pm$ 5% 1/4W	1	D12	R5	RCL/112	
13	Z/5905-99-011-3336	RESISTOR, FIXED	wirewound vitreous en; 4.7k ohms $\pm$ 5% 3W	1	D13	R8	RCL/111	
14	Z/5905-99-021-5650	RESISTOR, FIXED	composition; grade 1, non-insulated; 1.1k ohms $\pm$ 2% 1/4W	1	D14	R10	RCL/112	
15	Z/5905-99-021-5430	RESISTOR, FIXED	composition; grade 1, non-insulated; 130 ohms $\pm$ 2% 1/4W	1	D15	R11	RCL/112	
16	Z4/5930-99-949-0016	BAR, ACTUATOR, ELECTRICAL SWITCH	bakelite; 1.3/4in. by 3/4in. by 3/4in; for finger operation of biased toggle switch	1	D16		SD/A174379	
17		SCREW, SPECIAL		2	D17		SD/A174380	
18		STUD, SPECIAL		2	D18		SD/A174378	

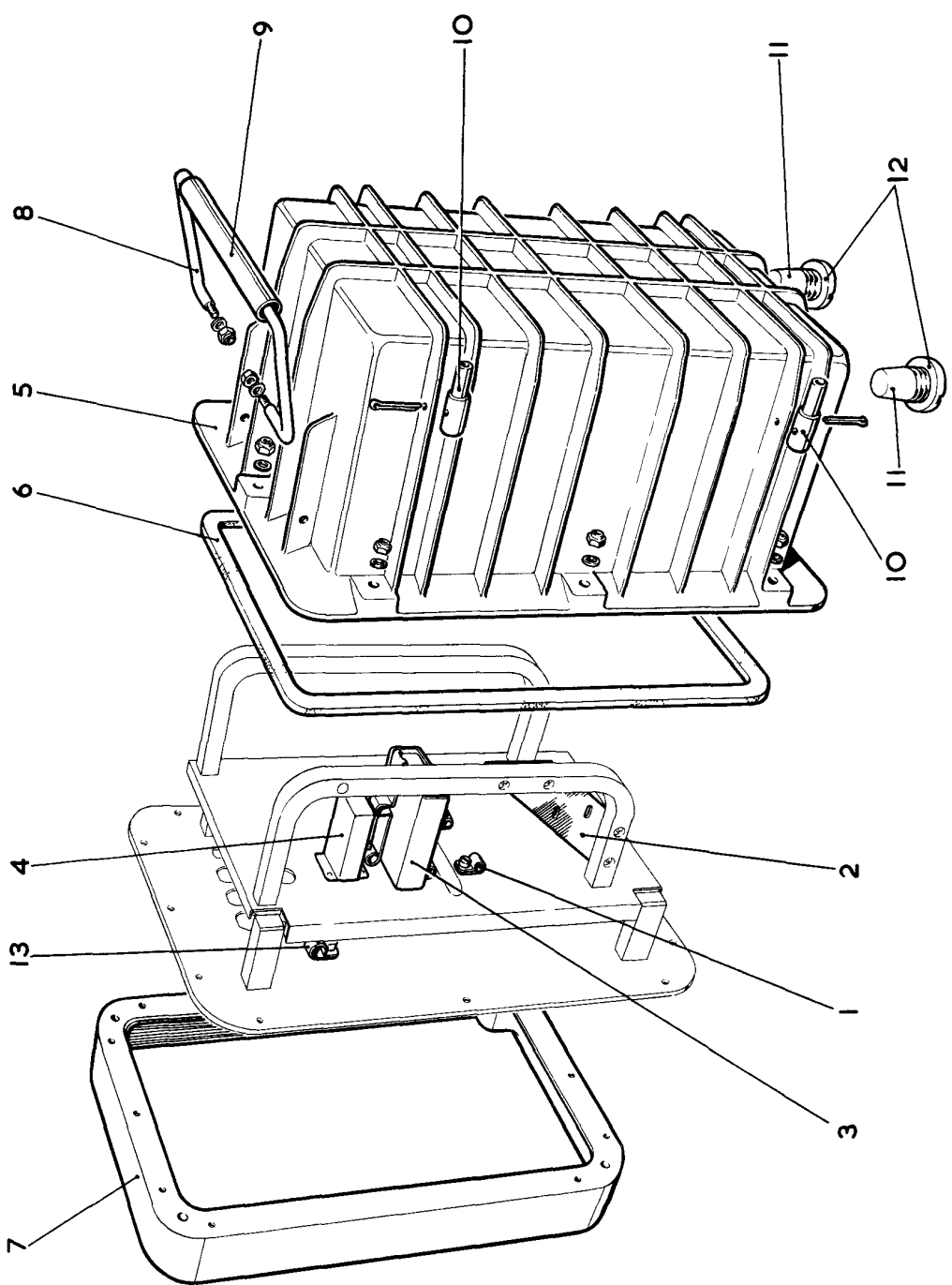
**E**



**REFORMING UNIT, ELECTROLYTIC CAPACITOR, No.1**

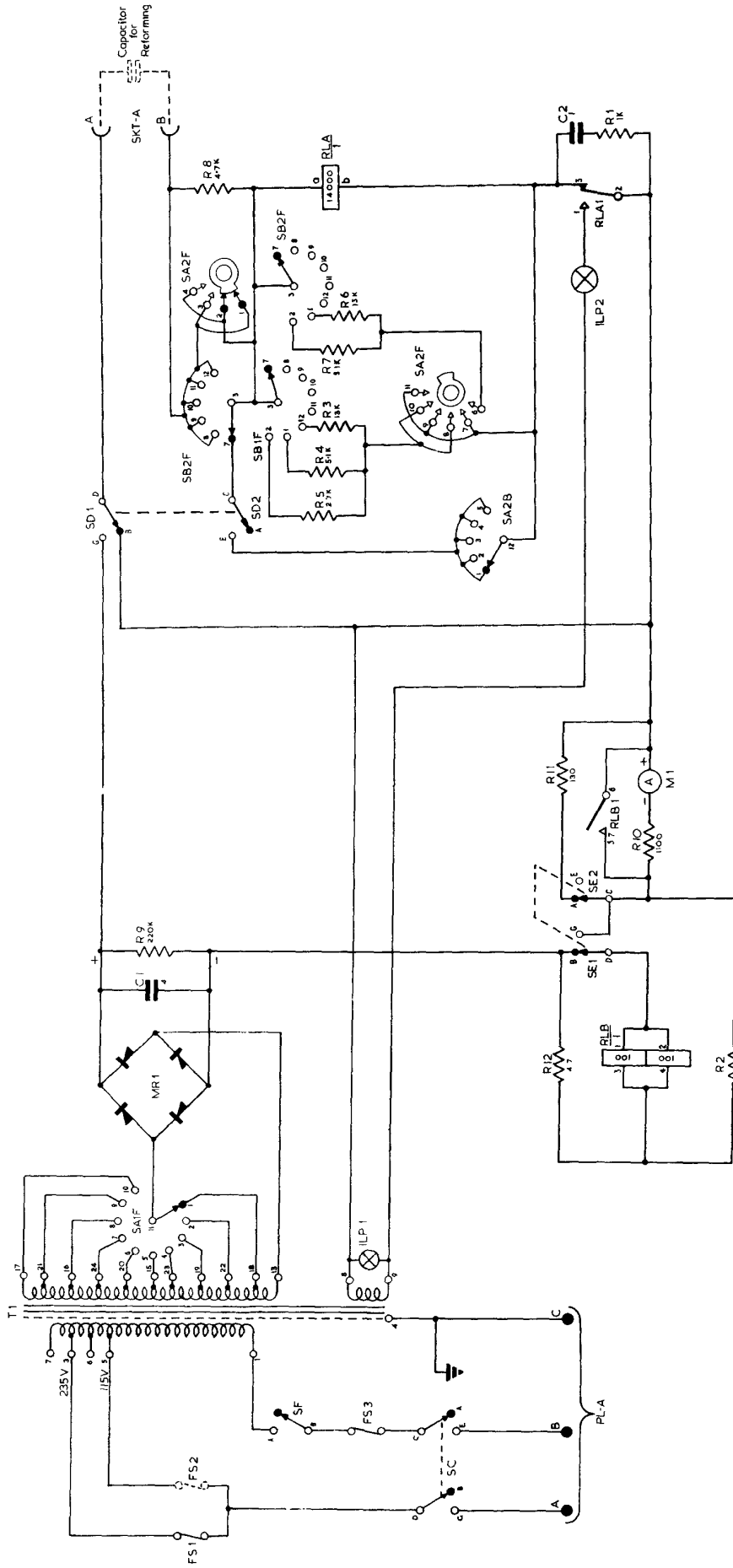
ITEM N°	CATALOGUE NUMBER	ITEM NAME OR DESIGNATION	ITEM DESCRIPTION	N° OFF	PLATE REF.	SCHEMATIC REF.	DRAWING N°	REMARKS
1		REFORMING UNIT, ELECTROLYTIC CAPACITOR, NO.1 EQUIPMENT (contd)						
2		REFORMING UNIT, ELECTROLYTIC CAPACITOR, NO.1 (contd)						
3		FRONT PANEL & CHASSIS ASSEMBLY						
4		CHASSIS						
5		HINGE BLOCK						
6		HINGE PIN						
7		GUARD RAIL, LEFT HAND						
8		CLIP, CABLE						
9	Z1/5975-99-940-0694	TIE BAR	plastic; banding; single fixing; 3/8in. i.d.	1	E1		SD/C174365	
10	Z1/5325-99-942-3430	GROMMET, RUBBER	synthetic; 1/2in. i.d. by 0.07in. groove	2	E2		SD/D174366	
11	Z4/6625-99-949-0496	BOARD, TERMINAL	S.R.B.P; 3.1/2in. by 1.3/4in. by 3/32in; 12 solder studs; special markings	1	E3		SD/A174395	
12	Z/5905-99-022-2005	RESISTOR, FIXED	1k ohm ± 10% 1/4W	1	E4		SD/A174396	
13	Z/5905-99-011-3203	RESISTOR, FIXED	4.7 ohms ± 10% 1.1/2W	1	E5		SD/A174376	
14	Z/5905-99-022-1069	RESISTOR, FIXED	composition; insulated;	1	E6		SD/B95901/5	
15	Z/5905-99-022-3081	RESISTOR, FIXED	47 ohms ± 10% 1/2W	1	E7		SD/A174381	
16	Y1/5945-99-942-1800	RELAY, MAGNETIC	220k ohms ± 10% 1/2W sealed; high speed; 100 ohms plus 100 ohms; 1 change-over; moving coil type 415	1	E8		SSM(L)7-11	
17		BRACKET, RELAY						
18	LV6/WTL/5340-99-942-4321	GUARD RAIL, RIGHT HAND						
19	Z1/5975-99-940-0693	SCREW, SPECIAL						
20	Z4/5950-99-949-0024	RING, RETAINING	steel; external 1/8 dia shaft	4	E9		SD/A174372	less items 2 to 5
21	Z/5910-99-011-0001	CLIP, CABLE		1	E10		RCL/112	
22	Z/5910-99-011-2824	TRANSFORMER, POWER	vertical mtg, claw type; 2.375in. grip	1	E11		RCL/111	
23	Z/6130-99-075-2458	CLAMP, CAPACITOR	primary; 115, 120, 225, 235V, 50c/s, single phase; secondary (a) 10.4, 15, 24.5, 42, 79, 113, 207 260, 278, 341V; secondary (b) 6V; unsealed; 3.1/2in. by 2.13/16in. x 2.5/8in.	1	E12		RCL/112	
24	Z1/5930-99-943-8275	CAPACITOR, FIXED	paper dielectric; foil; rect. metal case; 4uF ± 20% 400V D.C. working	1	E13		RCL/112	
25	Z1/5325-99-942-3406	BRACKET		1	E14		SD/A174391	
26		RECTIFIER, METAL SWITCH, SENSITIVE	selenium; bridge; T15D94 plunger type; single pole; double throw; Burgess B2368	2	E15		SD/A174383	
		GROMMET, RUBBER	synthetic; 1/4in. i.d. by 0.07in. groove	1	E16		SD/A174375	
				1	E17		SD/A174385	
				1	E18		SD/A174392	
				1	E19		SD/B95901/4	
				1	E20	T1	SD/B174369	
				4	E21		RCL/131	
				1	E22		RCL/131	
				2	E23		SD/A174382	
				1	E24	MRI	RCL241	
				1	E25	SF	Burgess BZ368	
				1	E26		SSM(L)7-11	

F



REFORMING UNIT, ELECTROLYTIC CAPACITOR, No. 1

ITEM NO	CATALOGUE NUMBER	ITEM NAME OR DESIGNATION	ITEM DESCRIPTION	N° OFF	PLATE REF.	SCHEMATIC REF.	DRAWING N°	REMARKS
		REFORMING UNIT, ELECTROLYTIC CAPACITOR, NO.1 EQUIPMENT (contd)						
		REFORMING UNIT, ELECTROLYTIC CAPACITOR NO.1, (contd)						
1	Z1/5340-99-940-0690	CLAMP, LOOP	plastic; 1/8in. grip; 1/4in. wide; single hole fixing	1	F1		SD/B95901/1	
2	Z1/5910-99-011-2823	BRACKET, SWITCH CAPACITOR, FIXED	paper dielectric; foil; rect. metal case; 1uF ± 20%	1	F2	C2	SD/A174384	
3	Z1/5945-99-011-4685	RELAY, MAGNETIC	400V D.C. working sealed; normal duty; 14k ohms; 1 change-over; type SMB5N28	1	F3		RCL/131	
4	Z1/5975-99-949-0023	CASE, INSTRUMENT	diecast, aluminium; painted grey; 11.3/4in. by 8.1/8in. by 5.5/8in; c/w resilient gasket & rect. clamping frame	1	F4	RLA	SMB5N28	
5	Z1/5330-99-949-0008	SEAL, RUBBER STRIP FRAME, RECTANGULAR HANDLE, BAIL	5.5/16in. by 2.1/16in. inside by 3/16in. dia	1	F5		SD/D98643/1	
6	Z1/5340-99-949-0010	GRIP	M.S.; tapped, 2BA by 1/2in. deep; pivot pin hole, 0.169in. dia	1	F6		SD/G98731	
7	Z4/5340-99-949-0003	CONNECTOR, ROD END	1.1/4in. long, by 5/8in. 28UNS, fixing	1	F7		SD/G98644/1	
8	Z1/6685-99-942-2061	DESICCATOR, SILICA GEL		1	F8		SD/A99063	
9	Z1/6685-99-942-0787	INDICATOR, HUMIDITY, PLUG	3/4in. 20UNS/2A thread; 3/4in. o/a lg; impregnated paper disc.	1	F9		SD/A99064	
10	Z1/5975-99-940-0694	CLIP, CABLE	plastic; banding; single fixing; 3/8in. i.d.	4	F10		SD/A98897	
11				2	F11		SD/A99822	
12				2	F12		assembly A	
13				1	F13		Book 9573	
							Book 6708	
							SD/B95901/5	



REFORMING UNIT, ELECTROLYTIC CAPACITOR, EQUIPMENT, No. 1.

S 1315



CATALOGUE NUMBER	PAGE NUMBER	CATALOGUE NUMBER	PAGE NUMBER	CATALOGUE NUMBER	PAGE NUMBER
<u>LV6/MT1</u> 5340-99-942-4321 5330-99-942-9636	3, 11 7	<u>Z</u> 5340-99-097-0102 5330-99-097-0107 5330-99-097-0108 5340-99-097-0114 5935-99-097-0121 5935-99-097-0124 5330-99-097-0209 5935-99-097-0212 5935-99-097-0215 5330-99-097-1004	5 5 5 5 7 7 7 5 5 7	<u>Z4</u> 6625-99-949-0042 5305-99-949-0446 6625-99-949-0496 6625-99-949-0497	3 9 11 9
<u>X2</u> 5920-99-059-0011 5920-99-059-0109 5920-99-059-1056 5935-99-940-0023 6240-99-995-9119	9 9 9 5 7	<u>Z1</u> 5340-99-940-0690 5975-99-940-0693 5975-99-940-0694 6685-99-942-0787 6685-99-942-2061 5325-99-942-3406 5325-99-942-3430 5355-99-942-8667 5355-99-942-8697 6210-99-942-9576 5330-99-943-3483 5330-99-943-3484 6210-99-943-7189 5930-99-943-8275 5330-99-949-0008 5340-99-949-0010 5975-99-949-0023 5930-99-949-0043 5930-99-949-0044 5340-99-949-0045 5340-99-949-0046 5340-99-949-0047 5340-99-949-0048 6250-99-949-0526	11  13 11 11, 13 13 13 11 11 11 7 7 7 7, 9 7 7 11 13 13 13 7 7 3 3 3 3 7		
<u>Y1</u> 5945-99-942-1800	11	<u>Z4</u> 5995-99-940-0491 5310-99-949-0001 5340-99-949-0003 5920-99-949-0004 5975-99-949-0005 6625-99-949-0006 6625-99-949-0007 5930-99-949-0016 5950-99-949-0024 6625-99-949-0025 6625-99-949-0041	5 9 9 13 9 9 9 9 9 9 11 7 7 5 5 5 5 5 5 5 5		
<u>Y3</u> 5975-99-910-7066 5975-99-910-7067 5940-99-940-3456	5 5 5	<u>Z</u> 5910-99-011-0001 5910-99-011-2823 5910-99-011-2824 5905-99-011-3203 5905-99-011-3336 5945-99-011-4685 5905-99-021-5291 5905-99-021-5327 5905-99-021-5430 5905-99-021-5650 5905-99-021-6017 5905-99-022-1069 5905-99-022-2005 5905-99-022-3081 5930-99-051-0554 5930-99-051-0555 5935-99-056-0230 5935-99-056-0270 5935-99-056-0505 5935-99-056-0565 6130-99-075-2458 5935-99-097-0058 5935-99-097-0061 5935-99-097-0062 5935-99-097-0095 5935-99-097-0096 5340-99-097-0101	11 13 11 11 9 13 9 9 9 9 9 11 11 11 7 7 7 5 5 5 5 5 5 5 5 5 5		

NOTE: The appearance of a bar (—) in a page number indicates that the catalogue numbers appear more than twice in the list and are to be found on and between the page numbers quoted

RESTRICTED