

WIRELESS SET NO 31, MK 2

TECHNICAL HANDBOOK - MISCELLANEOUS INSTRUCTION

Fastening clips

SUMMARY

1. Many cases are occurring of the fastening clips (Catches, spring loaded, No 8 Z1/ZA 35192) which secure the lid of the Wireless set No 31, Mk 2 and the battery container to the wireless set, opening out due to insufficient stiffness in the metal. This Regulation gives details of the action to be taken when sets are being repaired or overhauled.

DETAIL

2. When Wireless set No 31, Mk 2 is being repaired or overhauled in a workshop with spot-welding facilities, all Catches, spring loaded, No 8, Z1/ZA 35192 (qty 12) will be spot-welded at the points shown in Fig 1.

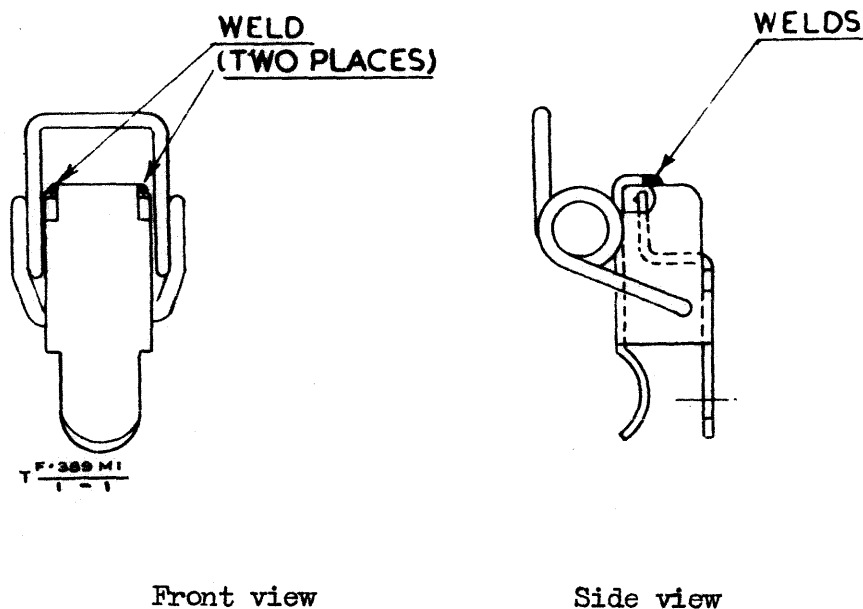


Fig 1 - Position of welds

57/Maint/3957

END

